

aiwa



TV-A219

TV-A209

TV-A149

COLOR TELEVISION

• TYPE: KEJK1

SIMPLE MANUAL

• Replace this Service Manual with "Revision Publishing" when it is issued.

S/M Code No. 09-992-323-2T1

MANUAL
SERVICE

ACCESSORIES LIST (TV-A219/A209/A149)

NOTE: The characters in the suffix column indicate the part usage.

KEJK1XX.....A.....

REF.NO	PARTS NO.	DESCRIPTION	SUFFIX
	88-JBJ-901-010	IB,KE(J,E) A219/209/149	A.....
	86-LB3-610-010	ANT ASSY,TV 5 SEC.(PAL)	A.....
	87-JB8-953-010	RC UNIT,RC-7VT03	A.....

MAIN PARTS LIST - 1 (TV-A219)

NOTE: The characters in the suffix column indicate the part usage.

KEJK1XX.....A.....

REF.NO	PARTS NO.	DESCRIPTION	SUFFIX
	84-LB2-623-010	DGC, 20PAL3	A.....
	86-CT6-020-010	CAP, SPKR	A.....
	86-LB7-694-010	AC CORD SET, KE2 BLK	A.....
	87-A90-332-010	HLDR, SF-2001 HV CABLE	A.....
F 801	87-035-458-010	FUSE, 4A 250V T W/C	A.....
SP 404	86-CT4-626-010	SPKR, T	A.....
SP 403	86-CT4-626-010	SPKR, T	A.....
SP 401	87-A90-730-010	SPKR, F 58X127 8OHM 10W	A.....
SP 402	87-A90-730-010	SPKR, F 58X127 8OHM 10W	A.....
V 551	88-JBJ-601-010	CRT, A51KPD12XX	A.....

MAIN PARTS LIST - 2 (TV-A209)

NOTE: The characters in the suffix column indicate the part usage.

KEJK1XX.....A.....

REF.NO	PARTS NO.	DESCRIPTION	SUFFIX
	86-CT6-020-010	CAP, SPKR	A.....
	86-LB7-694-010	AC CORD SET, KE2 BLK	A.....
	87-A90-332-010	HLDR, SF-2001 HV CABLE	A.....
	87-JBD-625-010	DGC, 20 15 OHM	A.....
F 801	87-035-458-010	FUSE, 4A 250V T W/C	A.....
SP 403	86-CT4-626-010	SPKR, T	A.....
SP 404	86-CT4-626-010	SPKR, T	A.....
SP 402	87-A90-730-010	SPKR, F 58X127 8OHM 10W	A.....
SP 401	87-A90-730-010	SPKR, F 58X127 8OHM 10W	A.....
	88-JBK-601-010	CRT, A48QAD220X	A.....

MAIN PARTS LIST - 3 (TV-A149)

NOTE: The characters in the suffix column indicate the part usage.

KEJK1XX.....A.....

REF.NO	PARTS NO.	DESCRIPTION	SUFFIX
	84-LB3-640-010	DGC, 14PAL3	A.....
	86-CT6-020-010	CAP, SPKR	A.....
	86-LB7-694-010	AC CORD SET, KE2 BLK	A.....
	87-A90-332-010	HLDR, SF-2001 HV CABLE	A.....
F 801	87-035-458-010	FUSE, 4A 250V T W/C	A.....
SP 404	86-CT4-626-010	SPKR, T	A.....
SP 403	86-CT4-626-010	SPKR, T	A.....
SP 402	86-LBT-621-010	SPKR, F 45 8OHM 5W	A.....
SP 401	86-LBT-621-010	SPKR, F 45 8OHM 5W	A.....
V 551	88-JBL-602-010	CRT, A34LEX10X	A.....

MECHANICAL PARTS LIST - 1 (TV-A219)

NOTE: The characters in the suffix column indicate the part usage.

KEJK1XX.....A.....

REF.NO	PARTS NO.	DESCRIPTION	SUFFIX
	84-LB2-020-010	PLATE FOOT	A.....
	86-LB2-003-110	GRILLE,SPKR L	A.....
	86-LB2-004-110	GRILLE,SPKR R	A.....
	86-LB3-010-010	CABI,REAR EX	A.....
	86-LBB-007-010	LENS,LED	A.....
	86-LBB-008-010	LENS,RC	A.....
	86-LBB-009-210	KEY,POWER	A.....
	87-054-086-010	BADGE,AIWA 52.5	A.....
	88-JBJ-001-010	CABI,FR EX	A.....
	88-JBJ-002-010	PANEL,FR A219 KE	A.....
	88-JBK-004-010	PANEL,REAR IS	A.....
	84-LB3-205-010	SPR-E,EARTH	A.....
	86-LBT-210-010	HLDR,FBT 2	A.....
	86-LBU-201-010	HLDR,AC CORD	A.....
	87-JB8-211-010	BOX,SPEAKER L-R2	A.....
	86-LBB-206-010	S-SCREW,ASSY TV5-40 W20	A.....
	87-067-680-010	BVI T3+3-10	A.....
	87-067-758-010	BVT2+3-12 W/O SLOT	A.....
	87-067-761-010	TAPPING SCREW, BVT2+3-10	A.....
	87-067-844-010	BVT2+4-16 BLK	A.....
	87-078-070-010	BVIT3B+4-12	A.....
	87-B10-071-010	BVT2+3-16 W/O SLOT B	A.....
	84-LB2-623-010	DGC,20PAL3	A.....
	86-CT6-020-010	CAP, SPKR	A.....
	86-LB7-694-010	AC CORD SET,KE2 BLK	A.....
	87-A90-332-010	HLDR,SF-2001 HV CABLE	A.....

MECHANICAL PARTS LIST - 2 (TV-A209)

NOTE: The characters in the suffix column indicate the part usage.

KEJK1XX.....A.....

REF.NO	PARTS NO.	DESCRIPTION	SUFFIX
	84-LB2-020-010	PLATE FOOT	A.....
	86-LB3-003-210	GRILLE,SPKR L	A.....
	86-LB3-004-210	GRILLE,SPKR R	A.....
	86-LB3-010-010	CABI,REAR EX	A.....
	86-LBB-007-010	LENS,LED	A.....
	86-LBB-008-010	LENS,RC	A.....
	86-LBB-009-210	KEY,POWER	A.....
	87-054-086-010	BADGE,AIWA 52.5	A.....
	88-JBK-002-010	PANEL,FR A209	A.....
	88-JBK-004-010	PANEL,REAR IS	A.....
	88-JBK-005-010	CABI,FR 2 EX	A.....
	84-LB3-205-010	SPR-E,EARTH	A.....
	86-LBT-210-010	HLDR,FBT 2	A.....
	86-LBU-201-010	HLDR,AC CORD	A.....
	87-JB8-211-010	BOX,SPEAKER L-R2	A.....
	86-LBB-206-010	S-SCREW,ASSY TV5-40 W20	A.....
	87-067-680-010	BVI T3+3-10	A.....
	87-067-758-010	BVT2+3-12 W/O SLOT	A.....
	87-067-761-010	TAPPING SCREW, BVT2+3-10	A.....
	87-067-844-010	BVT2+4-16 BLK	A.....
	87-078-070-010	BVIT3B+4-12	A.....
	87-B10-071-010	BVT2+3-16 W/O SLOT B	A.....
	86-CT6-020-010	CAP, SPKR	A.....
	86-LB7-694-010	AC CORD SET,KE2 BLK	A.....
	87-A90-332-010	HLDR,SF-2001 HV CABLE	A.....
	87-JBD-625-010	DGC,20 15 OHM	A.....
	88-JBK-601-010	CRT,A48QAD220X	A.....

MECHANICAL PARTS LIST - 3 (TV-A149)

NOTE: The characters in the suffix column indicate the part usage.

KEJK1XX.....A.....

REF.NO	PARTS NO.	DESCRIPTION	SUFFIX
	84-LB3-024-110	PLATE FOOT KE	A.....
	86-LB6-003-110	GRILLE,SPKR L	A.....
	86-LB6-004-110	GRILLE,SPKR R	A.....
	86-LB6-007-010	LENS,LED	A.....
	86-LB6-008-010	LENS,RC	A.....
	86-LB6-009-010	KEY,POWER	A.....
	86-LB6-019-010	CABI,REAR EX	A.....
	86-LB6-020-010	CABI,FR EX	A.....
	87-054-087-010	BADGE,AIWA 40	A.....
	87-JBA-007-010	PANEL,REAR A1416	A.....
	88-JBL-002-010	PANEL,MAIN A149	A.....
	84-LB3-205-010	SPR-E,EARTH	A.....
	86-LBT-210-010	HLDR,FBT 2	A.....
	86-LBU-201-010	HLDR,AC CORD	A.....
	87-067-680-010	BVI T3+3-10	A.....
	87-067-690-010	TAPPING SCREW, BVIT3+3-12	A.....
	87-067-758-010	BVT2+3-12 W/O SLOT	A.....
	87-067-761-010	TAPPING SCREW, BVT2+3-10	A.....
	87-067-844-010	BVT2+4-16 BLK	A.....
	87-078-203-110	S-SCREW,W5-25	A.....
	84-LB3-640-010	DGC, 14PAL3	A.....
	86-CT6-020-010	CAP, SPKR	A.....
	86-LB7-694-010	AC CORD SET,KE2 BLK	A.....
	87-A90-332-010	HLDR,SF-2001 HV CABLE	A.....

ELECTRICAL MAIN PARTS LIST - 1 (TV-A219)

NOTE: The characters in the suffix column indicate the part usage.

YJTVXX.....A.....

REF.NO	PARTS NO.	DESCRIPTION	SUFFIX
PN 801	82-481-649-010	PLUG,2P MINI (*)	A.....
IC 806	87-001-536-010	IC,NJM78M05FA	A.....
IC 804	87-001-576-010	IC,MJM7812FA	A.....
FB 801	87-003-320-080	F-BEAD,FBR07HA121NB	A.....
FB 802	87-003-320-080	F-BEAD,FBR07HA121NB	A.....
FB 804	87-003-320-080	F-BEAD,FBR07HA121NB	A.....
FB 805	87-003-320-080	F-BEAD,FBR07HA121NB	A.....
FB 803	87-003-320-080	F-BEAD,FBR07HA121NB	A.....
C 838	87-010-235-080	CAP,E 470-16 SME	A.....
C 837	87-010-378-080	CAP, ELECT 10-16V	A.....
C 839	87-010-378-080	CAP, ELECT 10-16V	A.....
C 819	87-010-381-080	CAP, ELECT 330-16V	A.....
C 809	87-010-385-080	CAP, ELECT 220-25V	A.....
C 822	87-010-397-090	CAP,E 1000-35 SME	A.....
C 821	87-010-398-090	CAP,E 2200-35V	A.....
C 803	87-012-370-010	CAP,CER 3300P-250NS	A.....
C 804	87-012-370-010	CAP,CER 3300P-250NS	A.....
C 813	87-012-372-010	CAP,CER 1000P-2K	A.....
C 817	87-016-648-090	CAP,E 100-160 M SSL	A.....
D 801	87-017-654-060	DIODE,GBU6J	A.....
C 811	87-018-131-080	CAP, CER 1000P-50V	A.....
C 827	87-018-131-080	CAP, CER 1000P-50V	A.....
PR 804	87-026-689-080	PROTECTOR,1A 60V 491	A.....
	87-067-584-010	TAPPING SCREW, BVT2+3-6	A.....
	87-067-680-010	BVI T3+3-10	A.....
PN 802	87-099-674-010	CONN,2P VA V	A.....
FR 801	87-A00-081-090	RES,FUSE 1-1/2W	A.....
R 812	87-A00-170-090	RES,M/F 82K-3W J RSF(S)	A.....
R 816	87-A00-223-090	RES,M/F 47K-2W J RSF(S)	A.....
R 804	87-A00-224-090	RES,SD 8.2M-1W J CE	A.....
R 808	87-A00-243-090	RES,M/F 22-1W J RSF(S)	A.....
R 806	87-A00-287-090	RES,CEM 0.33-5W K RGC5	A.....
R 809	87-A00-332-090	RES,CEM 1-10W J RGC	A.....
R 810	87-A00-332-090	RES,CEM 1-10W J RGC	A.....
R 805	87-A00-333-090	RES,M/F 100K-3W J RSS	A.....
R 807	87-A00-333-090	RES,M/F 100K-3W J RSS	A.....
C 825	87-A10-469-080	CAP,CER 2200P-500 K B DD10	A.....
C 812	87-A10-645-090	CAP,M/P 0.01-1K J MMH	A.....
C 808	87-A10-646-090	CAP,E 220-400 SMH (25.4*40)	A.....
C 801	87-A10-688-090	CAP,M/P 0.22-275 K (B81133)	A.....
C 802	87-A10-688-090	CAP,M/P 0.22-275 K (B81133)	A.....
C 810	87-A10-728-080	CAP,E 680-10 M LXV	A.....
C 816	87-A10-731-090	CAP,E 220-160 M KMF	A.....
C 814	87-A10-832-080	CAP,CER 1000P-1K K R	A.....
IC 805	87-A20-389-010	IC,NJM7809FA	A.....
IC 801	87-A20-980-010	IC,STR-S6707N	A.....
Q 803	87-A30-041-010	TR,SE115N	A.....
Q 801	87-A30-090-080	FET,2SK2541	A.....
Q 802	87-A30-090-080	FET,2SK2541	A.....
PS 801	87-A30-096-010	P-TR,TLP721F	A.....
PS 802	87-A30-096-010	P-TR,TLP721F	A.....
D 803	87-A40-286-080	DIODE,RGP10JE-5025	A.....
D 804	87-A40-286-080	DIODE,RGP10JE-5025	A.....
D 805	87-A40-286-080	DIODE,RGP10JE-5025	A.....
D 808	87-A40-286-080	DIODE,RGP10JE-5025	A.....
D 807	87-A40-354-090	DIODE,UF3GL-6251	A.....
D 809	87-A40-354-090	DIODE,UF3GL-6251	A.....

D	813	87-A40-440-080	ZENER,MTZJ7.5A	A.....
D	806	87-A40-450-090	DIODE,RU 1P	A.....
L	802	87-A50-170-010	COIL,390UH RCH106	A.....
L	801	87-A50-176-080	COIL,33UH-PJ87	A.....
PR	801	87-A90-090-080	PROTECTOR,1.5A 491SERIES 60V	A.....
PR	802	87-A90-094-080	PROTECTOR,4A 491SERIES 60V	A.....
FC	801	87-A90-160-080	FUSE CLAMP,FC 51F	A.....
FC	802	87-A90-160-080	FUSE CLAMP,FC 51F	A.....
SW	801	87-A90-364-010	SW,PUSH SDDL1-C-D-2	A.....
THP	801	87-A90-759-010	POS-THMS,PTH451C272BF300N270	A.....
CN	803	87-JB2-690-010	CONN ASSY,5P V WHITE-RED TV-NK	A.....
LF	801	87-JB8-651-010	FLTR,LINE SS24H-K15070	A.....
PT	801	88-JBJ-620-010	PT,SWT 8JB-J	A.....
IC	403	87-001-647-080	IC,NJM78L 12A	A.....
IC	402	87-002-577-010	IC,LA7953N	A.....
IC	451	87-002-779-010	IC,LA7956	A.....
FB	401	87-003-320-080	F-BEAD,FBR07HA121NB	A.....
L	401	87-005-444-080	COIL 100UH,K	A.....
J	403	87-009-216-010	JACK, DIA 3.5	A.....
C	460	87-010-221-080	CAP, ELECT 470-10V	A.....
C	417	87-010-237-080	CAP, ELECT 1000-16V	A.....
C	410	87-010-248-080	CAP, ELECT 220-10V	A.....
C	411	87-010-248-080	CAP, ELECT 220-10V	A.....
C	409	87-010-260-080	CAP, ELECT 47-25V	A.....
C	418	87-010-382-080	CAP, ELECT 22-25V	A.....
C	421	87-010-384-080	CAP, ELECT 100-25V	A.....
C	439	87-010-384-080	CAP, ELECT 100-25V	A.....
C	452	87-010-384-080	CAP, ELECT 100-25V	A.....
C	415	87-010-387-080	CAP,E 470-25 SME	A.....
C	416	87-010-387-080	CAP,E 470-25 SME	A.....
C	412	87-010-396-080	CAP,E 470-35 SME	A.....
C	419	87-010-401-080	CAP, ELECT 1-50V	A.....
C	420	87-010-401-080	CAP, ELECT 1-50V	A.....
C	453	87-010-401-080	CAP, ELECT 1-50V	A.....
C	454	87-010-401-080	CAP, ELECT 1-50V	A.....
C	456	87-010-401-080	CAP, ELECT 1-50V	A.....
C	457	87-010-401-080	CAP, ELECT 1-50V	A.....
C	458	87-010-401-080	CAP, ELECT 1-50V	A.....
C	459	87-010-401-080	CAP, ELECT 1-50V	A.....
C	451	87-010-402-080	CAP, ELECT 2.2-50V	A.....
C	406	87-010-405-080	CAP, ELECT 10-50V	A.....
C	407	87-010-405-080	CAP, ELECT 10-50V	A.....
C	425	87-010-405-080	CAP, ELECT 10-50V	A.....
C	426	87-010-405-080	CAP, ELECT 10-50V	A.....
C	461	87-010-405-080	CAP, ELECT 10-50V	A.....
C	462	87-010-405-080	CAP, ELECT 10-50V	A.....
C	428	87-015-695-080	CAP,E 1-50 7L	A.....
C	466	87-018-131-080	CAP, CER 1000P-50V	A.....
C	401	87-018-134-080	CAPACITOR,TC-U 0.01-16	A.....
C	473	87-018-134-080	CAPACITOR,TC-U 0.01-16	A.....
C	474	87-018-134-080	CAPACITOR,TC-U 0.01-16	A.....
PN	401	87-049-469-010	CONN,4P V	A.....
		87-067-584-010	TAPPING SCREW, BVT2+3-6	A.....
D	402	87-070-345-080	DIODE,IN4148	A.....
D	403	87-070-345-080	DIODE,IN4148	A.....
D	404	87-070-345-080	DIODE,IN4148	A.....
D	405	87-070-345-080	DIODE,IN4148	A.....
R	412	87-A00-150-090	RES,M/F 220-1W J RSF(S)	A.....
R	413	87-A00-150-090	RES,M/F 220-1W J RSF(S)	A.....
R	436	87-A00-369-090	RES,FUSE 3.3-1/2W J L-FORMING	A.....
R	437	87-A00-369-090	RES,FUSE 3.3-1/2W J L-FORMING	A.....
IC	401	87-A20-734-010	IC,TDA2007A	A.....
Q	455	87-A30-065-080	TR,2SC2785FE	A.....
Q	454	87-A30-065-080	TR,2SC2785FE	A.....

Q	417	87-A30-066-080	TR,2SA1175FE	A.....
Q	451	87-A30-066-080	TR,2SA1175FE	A.....
Q	453	87-A30-066-080	TR,2SA1175FE	A.....
Q	401	87-A30-090-080	FET,2SK2541	A.....
Q	402	87-A30-090-080	FET,2SK2541	A.....
Q	405	87-A30-090-080	FET,2SK2541	A.....
Q	416	87-A30-121-080	TR,DTC 323 TS	A.....
Q	421	87-A30-121-080	TR,DTC 323 TS	A.....
Q	415	87-A30-121-080	TR,DTC 323 TS	A.....
Q	422	87-A30-121-080	TR,DTC 323 TS	A.....
D	452	87-A40-004-080	ZENER,MTZJ16A	A.....
D	451	87-A40-004-080	ZENER,MTZJ16A	A.....
D	406	87-A40-347-080	ZENER,MTZJ2.2B	A.....
J	401	87-A60-322-110	JACK,PIN 3P Y-W-R W/SW	A.....
J	402	87-A60-324-110	JACK,PIN 6P Y-W-R W/SW	A.....
L	1	87-003-226-080	MICRO INDUCTOR 100UJ	A.....
FB	1	87-003-320-080	F-BEAD,FBR07HA121NB	A.....
C	10	87-010-101-080	CAP, ELECT 220-16	A.....
C	13	87-010-401-080	CAP, ELECT 1-50V	A.....
C	27	87-010-401-080	CAP, ELECT 1-50V	A.....
C	23	87-010-404-080	CAP, ELECT 4.7-50V	A.....
C	25	87-010-404-080	CAP, ELECT 4.7-50V	A.....
C	26	87-010-404-080	CAP, ELECT 4.7-50V	A.....
C	28	87-010-404-080	CAP, ELECT 4.7-50V	A.....
C	29	87-010-404-080	CAP, ELECT 4.7-50V	A.....
C	11	87-010-405-080	CAP, ELECT 10-50V	A.....
C	14	87-010-405-080	CAP, ELECT 10-50V	A.....
C	1	87-018-109-080	CAP, CER 22P-50V	A.....
C	2	87-018-109-080	CAP, CER 22P-50V	A.....
C	3	87-018-109-080	CAP, CER 22P-50V	A.....
C	4	87-018-109-080	CAP, CER 22P-50V	A.....
C	5	87-018-109-080	CAP, CER 22P-50V	A.....
C	6	87-018-109-080	CAP, CER 22P-50V	A.....
C	8	87-018-115-080	CAP, CER 47P-50V	A.....
C	12	87-018-119-080	CAP, CER 100P-50V	A.....
C	17	87-018-119-080	CAP, CER 100P-50V	A.....
C	18	87-018-119-080	CAP, CER 100P-50V	A.....
C	19	87-018-119-080	CAP, CER 100P-50V	A.....
C	7	87-018-123-080	CAP, CER 220P-50V	A.....
C	16	87-018-125-080	CAP, CER 330P-50V	A.....
C	40	87-018-131-080	CAP, CER 1000P-50V	A.....
C	9	87-018-134-080	CAPACITOR,TC-U 0.01-16	A.....
C	30	87-018-134-080	CAPACITOR,TC-U 0.01-16	A.....
SFR	2	87-024-437-080	SFR100K,RH063EC	A.....
SFR	1	87-024-438-080	SFR220K,RH063EC	A.....
X	1	87-030-212-080	CERA LOCK CST8.0M	A.....
D	5	87-070-110-010	LED,SLP-181B-51	A.....
D	7	87-070-345-080	DIODE,IN4148	A.....
D	8	87-070-345-080	DIODE,IN4148	A.....
D	9	87-070-345-080	DIODE,IN4148	A.....
D	11	87-070-345-080	DIODE,IN4148	A.....
D	12	87-070-345-080	DIODE,IN4148	A.....
D	14	87-070-345-080	DIODE,IN4148	A.....
D	18	87-070-345-080	DIODE,IN4148	A.....
IC	2	87-A20-611-080	IC,M51943BSL-700A	A.....
IC	3	87-A21-106-010	IC,SLA24C04-D	A.....
Q	11	87-A30-065-080	TR,2SC2785FE	A.....
Q	1	87-A30-066-080	TR,2SA1175FE	A.....
Q	15	87-A30-066-080	TR,2SA1175FE	A.....
Q	16	87-A30-066-080	TR,2SA1175FE	A.....
Q	3	87-A30-090-080	FET,2SK2541	A.....
Q	10	87-A30-090-080	FET,2SK2541	A.....
Q	12	87-A30-090-080	FET,2SK2541	A.....
Q	14	87-A30-090-080	FET,2SK2541	A.....

Q	13	87-A30-090-080	FET,2SK2541	A.....
D	1	87-A40-344-080	ZENER,MTZJ6.2C	A.....
D	2	87-A40-344-080	ZENER,MTZJ6.2C	A.....
SW	2	87-A90-712-080	SW,TACT EVQ11L07K	A.....
SW	3	87-A90-712-080	SW,TACT EVQ11L07K	A.....
SW	4	87-A90-712-080	SW,TACT EVQ11L07K	A.....
SW	5	87-A90-712-080	SW,TACT EVQ11L07K	A.....
SW	6	87-A90-712-080	SW,TACT EVQ11L07K	A.....
SW	7	87-A90-712-080	SW,TACT EVQ11L07K	A.....
IC	4	87-A90-864-010	RCR UNIT,SBX1981-72MESH	A.....
IC	1	88-JBJ-621-010	IC,M37221M6-***SP	A.....
TU	101	86-LBB-603-010	TU UNIT, ENV59D17F1	A.....
L	101	87-005-481-080	COIL,47UH J FLR50	A.....
C	109	87-010-400-080	CAP, ELECT 0.47-50V	A.....
C	110	87-010-400-080	CAP, ELECT 0.47-50V	A.....
C	101	87-010-401-080	CAP, ELECT 1-50V	A.....
C	111	87-010-401-080	CAP, ELECT 1-50V	A.....
D	101	87-070-345-080	DIODE,IN4148	A.....
D	102	87-070-345-080	DIODE,IN4148	A.....
R	102	87-A00-164-090	RES,M/F 12K-2W J RSF(S)	A.....
C	102	87-A10-112-080	CAP,E 100-10 SSL	A.....
C	103	87-A10-207-080	CAP,TCS 0.01-50KBUP050	A.....
IC	101	87-A20-371-080	IC,KA33V	A.....
Q	102	87-A30-065-080	TR,2SC2785FE	A.....
Q	101	87-A30-090-080	FET,2SK2541	A.....
Q	103	87-A30-090-080	FET,2SK2541	A.....
Q	104	87-A30-090-080	FET,2SK2541	A.....
Q	105	87-A30-091-080	FET,2SJ460	A.....
Q	106	87-A30-091-080	FET,2SJ460	A.....
Q	108	87-A30-091-080	FET,2SJ460	A.....
Q	107	87-A30-091-080	FET,2SJ460	A.....
CN	101	87-A60-498-010	CONN,9P V BLK TAC-L09X	A.....
CN	102	87-A60-498-010	CONN,9P V BLK TAC-L09X	A.....
L	303	82-JT2-608-010	FLTR,DL PHASE	A.....
CN	301	84-LB2-631-010	CONN ASSY,5P TN-4	A.....
DL	301	84-LB3-638-010	DL,ADL-CP144E	A.....
L	304	87-003-145-080	COIL,8.2UH LAL02	A.....
L	308	87-003-147-080	COIL, 22UH	A.....
L	307	87-003-154-080	COIL,220UH	A.....
L	306	87-003-286-080	COIL,56UH LAL02	A.....
L	309	87-003-286-080	COIL,56UH LAL02	A.....
L	310	87-005-473-080	COIL,10UH J FLR50	A.....
C	327	87-010-260-080	CAP, ELECT 47-25V	A.....
C	335	87-010-374-080	CAP, ELECT 47-10V	A.....
C	312	87-010-400-080	CAP, ELECT 0.47-50V	A.....
C	344	87-010-400-080	CAP, ELECT 0.47-50V	A.....
C	329	87-010-401-080	CAP, ELECT 1-50V	A.....
C	351	87-010-401-080	CAP, ELECT 1-50V	A.....
C	352	87-010-401-080	CAP, ELECT 1-50V	A.....
C	378	87-010-401-080	CAP, ELECT 1-50V	A.....
C	332	87-010-403-080	CAP, ELECT 3.3-50V	A.....
C	372	87-010-405-080	CAP, ELECT 10-50V	A.....
C	320	87-010-529-080	CAP,E 1-50 BP	A.....
C	377	87-015-997-010	CAP, ELECT 2200UF-16V	A.....
C	315	87-018-107-080	CAP,TC-U 18P-50 SL	A.....
C	373	87-018-115-080	CAP, CER 47P-50V	A.....
C	338	87-018-117-080	CAP,TC-U 68P-50 SL	A.....
C	350	87-018-120-080	CAP, CERA-SOL SS 120P	A.....
C	302	87-018-122-080	CAP 180P-50 B	A.....
C	356	87-018-122-080	CAP 180P-50 B	A.....
C	330	87-018-124-080	CAP, CER 270P-50V	A.....
C	328	87-018-130-080	CAP,TC-U 820P-50 B	A.....
C	316	87-018-131-080	CAP, CER 1000P-50V	A.....
C	309	87-018-134-080	CAPACITOR,TC-U 0.01-16	A.....

C	310	87-018-134-080	CAPACITOR,TC-U 0.01-16	A.....
C	311	87-018-134-080	CAPACITOR,TC-U 0.01-16	A.....
C	313	87-018-134-080	CAPACITOR,TC-U 0.01-16	A.....
C	336	87-018-134-080	CAPACITOR,TC-U 0.01-16	A.....
C	348	87-018-134-080	CAPACITOR,TC-U 0.01-16	A.....
C	349	87-018-134-080	CAPACITOR,TC-U 0.01-16	A.....
C	354	87-018-134-080	CAPACITOR,TC-U 0.01-16	A.....
C	374	87-018-134-080	CAPACITOR,TC-U 0.01-16	A.....
C	375	87-018-134-080	CAPACITOR,TC-U 0.01-16	A.....
C	376	87-018-134-080	CAPACITOR,TC-U 0.01-16	A.....
C	307	87-018-209-080	CAP, CER 0.1-50V	A.....
C	399	87-018-209-080	CAP, CER 0.1-50V	A.....
SFR	301	87-024-429-080	SFR,1K RH063EC	A.....
SFR	302	87-024-429-080	SFR,1K RH063EC	A.....
X	302	87-030-327-010	VIB,CER CSB503F30	A.....
IC	301	87-070-080-010	IC,TA8759BN	A.....
R	326	87-A00-317-080	RES,M/F 82-1/4W F SN2E	A.....
Q	301	87-A30-065-080	TR,2SC2785FE	A.....
Q	305	87-A30-065-080	TR,2SC2785FE	A.....
Q	307	87-A30-065-080	TR,2SC2785FE	A.....
Q	310	87-A30-065-080	TR,2SC2785FE	A.....
Q	311	87-A30-065-080	TR,2SC2785FE	A.....
Q	312	87-A30-065-080	TR,2SC2785FE	A.....
Q	302	87-A30-066-080	TR,2SA1175FE	A.....
Q	304	87-A30-066-080	TR,2SA1175FE	A.....
Q	306	87-A30-066-080	TR,2SA1175FE	A.....
Q	314	87-A30-090-080	FET,2SK2541	A.....
Q	319	87-A30-090-080	FET,2SK2541	A.....
Q	309	87-A30-090-080	FET,2SK2541	A.....
Q	303	87-A30-121-080	TR,DTC 323 TS	A.....
D	302	87-A40-001-080	ZENER,MTZJ12C	A.....
D	303	87-A40-235-080	ZENER,MTZJ9.1C	A.....
D	301	87-A40-349-080	ZENER,MTZJ7.5C	A.....
X	303	87-A70-007-080	VIB,XTAL 3.58MHZ AQC-1001	A.....
X	301	87-A70-054-080	VIB,XTAL 4.43MHZ AQC-1018	A.....
DL	302	87-A90-370-010	DELAY LINE,ELB10Z334	A.....
L	601	84-LB2-621-010	COIL,WLH-605 LIN	A.....
T	602	84-LB3-651-010	TRANS,HD MS-101N	A.....
FB	601	87-003-320-080	F-BEAD,FBR07HA121NB	A.....
C	509	87-010-247-080	CAP, ELECT 100-50V	A.....
C	609	87-010-386-080	CAP,E330-25 SME	A.....
C	510	87-010-394-080	CAP ELECT220-35V	A.....
C	610	87-010-397-090	CAP,E 1000-35 SME	A.....
C	514	87-010-401-080	CAP, ELECT 1-50V	A.....
C	503	87-010-405-080	CAP, ELECT 10-50V	A.....
C	612	87-010-974-080	CAP,CER 220P-500 B	A.....
C	611	87-010-976-080	CAP,CER 1000P-500 B	A.....
C	615	87-012-386-090	CAP,CER 470P-2K K BN DE	A.....
C	603	87-016-217-080	CAP,E 4.7-160	A.....
C	601	87-016-299-080	CAP,E 10-100 SME	A.....
C	606	87-016-357-010	CAP,PP 0.01-1250	A.....
C	614	87-016-515-080	CAP,CER 1000P-1K B	A.....
C	507	87-018-115-080	CAP, CER 47P-50V	A.....
C	501	87-018-127-080	CAP, CER 470P-50V	A.....
C	508	87-018-131-080	CAP, CER 1000P-50V	A.....
C	502	87-018-134-080	CAPACITOR,TC-U 0.01-16	A.....
SFR	501	87-024-436-080	SFR,47K RH063EC	A.....
		87-067-579-010	TAPPING SCREW, BVT2+3-8	A.....
D	501	87-070-092-080	DIODE,S5566B	A.....
IC	501	87-070-237-010	IC,LA7832	A.....
D	605	87-070-345-080	DIODE,IN4148	A.....
PN	601	87-099-675-010	CONN,5P V V	A.....
FR	605	87-A00-049-060	RES,FUSE 2.2K-1/2WJ R-TYPE	A.....
FR	603	87-A00-050-060	RES,FUSE 2.2-1W J R-TYPE	A.....

FR	604	87-A00-052-060	RES,FUSE 3.9-1W J R-TYPE	A.....
FR	601	87-A00-063-060	RES,FUSE 2.2-1/2W J R-TYPE	A.....
R	603	87-A00-200-090	RES,M/F 100-2W J RSF(S)	A.....
R	610	87-A00-225-090	RES,M/F 2.2K-5W J RSV5	A.....
FR	602	87-A00-371-090	RES,FUSE 5.6-1W J R-TYPE	A.....
C	513	87-A10-011-090	CAP,E 2200-25 SMG	A.....
C	616	87-A10-043-010	CAP,PP 0.56-200 PH	A.....
Q	501	87-A30-065-080	TR,2SC2785FE	A.....
Q	603	87-A30-065-080	TR,2SC2785FE	A.....
Q	502	87-A30-090-080	FET,2SK2541	A.....
Q	601	87-A30-095-010	TR,2SD2333LS/C202	A.....
D	601	87-A40-286-080	DIODE,RGP10JE-5025	A.....
D	602	87-A40-286-080	DIODE,RGP10JE-5025	A.....
D	603	87-A40-286-080	DIODE,RGP10JE-5025	A.....
D	604	87-A40-286-080	DIODE,RGP10JE-5025	A.....
L	603	87-A50-040-010	COIL,2.2MH	A.....
SW	501	87-A90-567-010	SW,LVR 4-1-3 EVQRAAL10	A.....
T	601	87-JBC-610-010	FBT, HFT3601 (HOT)	A.....
C	617	88-238-450-810	CERAMIC CAPACITOR,150P/500V	A.....
C	511	88-708-980-810	CAP,M 0.056-100 J AMZV	A.....
Q	602	89-334-674-580	TR,2SC3467 D/E	A.....

NOTE: The characters in the suffix column indicate the part usage.

YJNKXX.....A.....

REF.NO	PARTS NO.	DESCRIPTION	SUFFIX	
C	557	87-010-378-080	CAP, ELECT 10-16V	A.....
C	556	87-010-378-080	CAP, ELECT 10-16V	A.....
C	551	87-010-976-080	CAP,CER 1000P-500 B	A.....
C	552	87-012-397-010	CAP,CER 1000P-2K BN	A.....
C	553	87-018-124-080	CAP, CER 270P-50V	A.....
C	554	87-018-124-080	CAP, CER 270P-50V	A.....
C	555	87-018-126-080	CAP,TC-U 390P-50 B	A.....
D	555	87-070-345-080	DIODE,IN4148	A.....
D	556	87-070-345-080	DIODE,IN4148	A.....
D	553	87-070-345-080	DIODE,IN4148	A.....
D	554	87-070-345-080	DIODE,IN4148	A.....
D	551	87-070-345-080	DIODE,IN4148	A.....
D	552	87-070-345-080	DIODE,IN4148	A.....
D	557	87-070-345-080	DIODE,IN4148	A.....
L	551	87-005-444-080	COIL 100UH,K	A.....
PN	551	87-009-195-010	CONN,5P B5BEH	A.....
PN	552	87-049-590-010	CONN,5P 8283 V WHT	A.....
Q	553	87-A30-005-010	TR,2SC2688M/L	A.....
Q	551	87-A30-005-010	TR,2SC2688M/L	A.....
Q	552	87-A30-005-010	TR,2SC2688M/L	A.....
Q	554	87-A30-066-080	TR,2SA1175FE	A.....
R	553	87-A00-165-090	RES,M/F 15K-2W J RSF(S)	A.....
R	552	87-A00-165-090	RES,M/F 15K-2W J RSF(S)	A.....
R	551	87-A00-165-090	RES,M/F 15K-2W J RSF(S)	A.....
SFR	554	87-024-520-080	SFR,1K DIA6 V NTP	A.....
SFR	555	87-024-520-080	SFR,1K DIA6 V NTP	A.....
SFR	553	87-024-522-080	SFR 4.7K DIA6V NTP	A.....
SFR	551	87-024-522-080	SFR 4.7K DIA6V NTP	A.....
SFR	552	87-024-522-080	SFR 4.7K DIA6V NTP	A.....
SO	552	86-LBR-670-010	SOCKET,CRT 9P HPS1521	A.....

ELECTRICAL MAIN PARTS LIST - 2 (TV-A209)

NOTE: The characters in the suffix column indicate the part usage.

YKTVXX.....A.....

REF.NO	PARTS NO.	DESCRIPTION	SUFFIX
	87-067-584-010	TAPPING SCREW, BVT2+3-6	A.....
	87-067-680-010	BVI T3+3-10	A.....
C 809	87-010-385-080	CAP, ELECT 220-25V	A.....
C 803	87-012-370-010	CAP,CER 3300P-250NS	A.....
C 804	87-012-370-010	CAP,CER 3300P-250NS	A.....
C 808	87-A10-646-090	CAP,E 220-400 SMH (25.4*40)	A.....
C 801	87-A10-688-090	CAP,M/P 0.22-275 K (B81133)	A.....
C 802	87-A10-688-090	CAP,M/P 0.22-275 K (B81133)	A.....
C 819	87-010-381-080	CAP, ELECT 330-16V	A.....
C 813	87-012-372-010	CAP,CER 1000P-2K	A.....
C 817	87-016-648-090	CAP,E 100-160 M SSL	A.....
C 811	87-018-131-080	CAP, CER 1000P-50V	A.....
C 812	87-A10-645-090	CAP,M/P 0.01-1K J MMH	A.....
C 810	87-A10-728-080	CAP,E 680-10 M LXV	A.....
C 816	87-A10-731-090	CAP,E 220-160 M KMF	A.....
C 814	87-A10-832-080	CAP,CER 1000P-1K K R	A.....
C 822	87-010-397-090	CAP,E 1000-35 SME	A.....
C 821	87-010-398-090	CAP,E 2200-35V	A.....
C 827	87-018-131-080	CAP, CER 1000P-50V	A.....
C 825	87-A10-469-080	CAP,CER 2200P-500 K B DD10	A.....
C 838	87-010-235-080	CAP,E 470-16 SME	A.....
C 837	87-010-378-080	CAP, ELECT 10-16V	A.....
C 839	87-010-378-080	CAP, ELECT 10-16V	A.....
CN 803	87-JB2-690-010	CONN ASSY,5P V WHITE-RED TV-NK	A.....
D 801	87-017-654-060	DIODE,GBU6J	A.....
D 805	87-A40-286-080	DIODE, RGP10JE-5025	A.....
D 808	87-A40-286-080	DIODE, RGP10JE-5025	A.....
D 804	87-A40-286-080	DIODE, RGP10JE-5025	A.....
D 803	87-A40-286-080	DIODE, RGP10JE-5025	A.....
D 807	87-A40-354-090	DIODE,UF3GL-6251	A.....
D 809	87-A40-354-090	DIODE,UF3GL-6251	A.....
D 806	87-A40-450-090	DIODE,RU 1P	A.....
D 813	87-A40-440-080	ZENER,MTZJ7.5A	A.....
FB 801	87-003-320-080	F-BEAD,FBR07HA121NB	A.....
FB 802	87-003-320-080	F-BEAD,FBR07HA121NB	A.....
FB 803	87-003-320-080	F-BEAD,FBR07HA121NB	A.....
FB 805	87-003-320-080	F-BEAD,FBR07HA121NB	A.....
FB 804	87-003-320-080	F-BEAD,FBR07HA121NB	A.....
FC 802	87-A90-160-080	FUSE CLAMP,FC 51F	A.....
FC 801	87-A90-160-080	FUSE CLAMP,FC 51F	A.....
FR 801	87-A00-081-090	RES,FUSE 1-1/2W	A.....
IC 806	87-001-536-010	IC,NJM78M05FA	A.....
IC 804	87-001-576-010	IC,MJM7812FA	A.....
IC 805	87-A20-389-010	IC,NJM7809FA	A.....
IC 801	87-A20-980-010	IC,STR-S6707N	A.....
L 802	87-A50-170-010	COIL,390UH RCH106	A.....
L 801	87-A50-176-080	COIL,33UH-PJ87	A.....
LF 801	87-JB8-651-010	FLTR,LINE SS24H-K15070	A.....
PN 801	82-481-649-010	PLUG,2P MINI (*)	A.....
PN 802	87-099-674-010	CONN,2P VA V	A.....
PR 804	87-026-689-080	PROTECTOR,1A 60V 491	A.....
PR 801	87-A90-090-080	PROTECTOR,1.5A 491SERIES 60V	A.....
PR 802	87-A90-094-080	PROTECTOR,4A 491SERIES 60V	A.....
PS 802	87-A30-096-010	P-TR,TLP721F	A.....
PS 801	87-A30-096-010	P-TR,TLP721F	A.....
PT 801	88-JBJ-620-010	PT,SWT 8JB-J	A.....
Q 803	87-A30-041-010	TR,SE115N	A.....

Q	801	87-A30-090-080	FET,2SK2541	A.....
Q	802	87-A30-090-080	FET,2SK2541	A.....
R	804	87-A00-224-090	RES,SD 8.2M-1W J CE	A.....
R	808	87-A00-243-090	RES,M/F 22-1W J RSF(S)	A.....
R	806	87-A00-287-090	RES,CEM 0.33-5W K RGC5	A.....
R	809	87-A00-332-090	RES,CEM 1-10W J RGC	A.....
R	807	87-A00-333-090	RES,M/F 100K-3W J RSS	A.....
R	805	87-A00-333-090	RES,M/F 100K-3W J RSS	A.....
R	812	87-A00-170-090	RES,M/F 82K-3W J RSF(S)	A.....
R	816	87-A00-223-090	RES,M/F 47K-2W J RSF(S)	A.....
R	810	87-A00-332-090	RES,CEM 1-10W J RGC	A.....
SW	801	87-A90-364-010	SW,PUSH SDDL1-C-D-2	A.....
THP	801	87-A90-830-010	POS-THMS,PTH451C463BF9R0Q270	A.....
		87-067-584-010	TAPPING SCREW, BVT2+3-6	A.....
C	409	87-010-260-080	CAP, ELECT 47-25V	A.....
C	407	87-010-405-080	CAP, ELECT 10-50V	A.....
C	406	87-010-405-080	CAP, ELECT 10-50V	A.....
C	401	87-018-134-080	CAPACITOR,TC-U 0.01-16	A.....
C	417	87-010-237-080	CAP, ELECT 1000-16V	A.....
C	411	87-010-248-080	CAP, ELECT 220-10V	A.....
C	410	87-010-248-080	CAP, ELECT 220-10V	A.....
C	418	87-010-382-080	CAP, ELECT 22-25V	A.....
C	415	87-010-387-080	CAP,E 470-25 SME	A.....
C	416	87-010-387-080	CAP,E 470-25 SME	A.....
C	412	87-010-396-080	CAP,E 470-35 SME	A.....
C	419	87-010-401-080	CAP, ELECT 1-50V	A.....
C	421	87-010-384-080	CAP, ELECT 100-25V	A.....
C	420	87-010-401-080	CAP, ELECT 1-50V	A.....
C	425	87-010-405-080	CAP, ELECT 10-50V	A.....
C	426	87-010-405-080	CAP, ELECT 10-50V	A.....
C	428	87-015-695-080	CAP,E 1-50 7L	A.....
C	439	87-010-384-080	CAP, ELECT 100-25V	A.....
C	452	87-010-384-080	CAP, ELECT 100-25V	A.....
C	459	87-010-401-080	CAP, ELECT 1-50V	A.....
C	456	87-010-401-080	CAP, ELECT 1-50V	A.....
C	457	87-010-401-080	CAP, ELECT 1-50V	A.....
C	458	87-010-401-080	CAP, ELECT 1-50V	A.....
C	454	87-010-401-080	CAP, ELECT 1-50V	A.....
C	453	87-010-401-080	CAP, ELECT 1-50V	A.....
C	451	87-010-402-080	CAP, ELECT 2.2-50V	A.....
C	460	87-010-221-080	CAP, ELECT 470-10V	A.....
C	461	87-010-405-080	CAP, ELECT 10-50V	A.....
C	462	87-010-405-080	CAP, ELECT 10-50V	A.....
C	466	87-018-131-080	CAP, CER 1000P-50V	A.....
C	474	87-018-134-080	CAPACITOR,TC-U 0.01-16	A.....
C	473	87-018-134-080	CAPACITOR,TC-U 0.01-16	A.....
D	403	87-070-345-080	DIODE,IN4148	A.....
D	405	87-070-345-080	DIODE,IN4148	A.....
D	402	87-070-345-080	DIODE,IN4148	A.....
D	404	87-070-345-080	DIODE,IN4148	A.....
D	406	87-A40-347-080	ZENER,MTZJ2.2B	A.....
D	451	87-A40-004-080	ZENER,MTZJ16A	A.....
D	452	87-A40-004-080	ZENER,MTZJ16A	A.....
FB	401	87-003-320-080	F-BEAD,FBR07HA121NB	A.....
IC	403	87-001-647-080	IC,NJM78L 12A	A.....
IC	402	87-002-577-010	IC,LA7953N	A.....
IC	401	87-A20-734-010	IC,TDA2007A	A.....
IC	451	87-002-779-010	IC,LA7956	A.....
J	403	87-009-216-010	JACK, DIA 3.5	A.....
J	401	87-A60-322-110	JACK,PIN 3P Y-W-R W/SW	A.....
J	402	87-A60-324-110	JACK,PIN 6P Y-W-R W/SW	A.....
L	401	87-005-444-080	COIL 100UH,K	A.....
PN	401	87-049-469-010	CONN,4P V	A.....
Q	405	87-A30-090-080	FET,2SK2541	A.....
Q	401	87-A30-090-080	FET,2SK2541	A.....
Q	402	87-A30-090-080	FET,2SK2541	A.....

Q	417	87-A30-066-080	TR,2SA1175FE	A.....
Q	416	87-A30-121-080	TR,DTC 323 TS	A.....
Q	415	87-A30-121-080	TR,DTC 323 TS	A.....
Q	421	87-A30-121-080	TR,DTC 323 TS	A.....
Q	422	87-A30-121-080	TR,DTC 323 TS	A.....
Q	455	87-A30-065-080	TR,2SC2785FE	A.....
Q	454	87-A30-065-080	TR,2SC2785FE	A.....
Q	453	87-A30-066-080	TR,2SA1175FE	A.....
Q	451	87-A30-066-080	TR,2SA1175FE	A.....
R	412	87-A00-150-090	RES,M/F 220-1W J RSF(S)	A.....
R	413	87-A00-150-090	RES,M/F 220-1W J RSF(S)	A.....
R	437	87-A00-369-090	RES,FUSE 3.3-1/2W J L-FORMING	A.....
R	436	87-A00-369-090	RES,FUSE 3.3-1/2W J L-FORMING	A.....
C	6	87-018-109-080	CAP, CER 22P-50V	A.....
C	4	87-018-109-080	CAP, CER 22P-50V	A.....
C	1	87-018-109-080	CAP, CER 22P-50V	A.....
C	3	87-018-109-080	CAP, CER 22P-50V	A.....
C	5	87-018-109-080	CAP, CER 22P-50V	A.....
C	2	87-018-109-080	CAP, CER 22P-50V	A.....
C	8	87-018-115-080	CAP, CER 47P-50V	A.....
C	7	87-018-123-080	CAP, CER 220P-50V	A.....
C	9	87-018-134-080	CAPACITOR,TC-U 0.01-16	A.....
C	10	87-010-101-080	CAP, ELECT 220-16	A.....
C	13	87-010-401-080	CAP, ELECT 1-50V	A.....
C	14	87-010-405-080	CAP, ELECT 10-50V	A.....
C	11	87-010-405-080	CAP, ELECT 10-50V	A.....
C	19	87-018-119-080	CAP, CER 100P-50V	A.....
C	12	87-018-119-080	CAP, CER 100P-50V	A.....
C	18	87-018-119-080	CAP, CER 100P-50V	A.....
C	17	87-018-119-080	CAP, CER 100P-50V	A.....
C	16	87-018-125-080	CAP, CER 330P-50V	A.....
C	27	87-010-401-080	CAP, ELECT 1-50V	A.....
C	25	87-010-404-080	CAP, ELECT 4.7-50V	A.....
C	28	87-010-404-080	CAP, ELECT 4.7-50V	A.....
C	26	87-010-404-080	CAP, ELECT 4.7-50V	A.....
C	29	87-010-404-080	CAP, ELECT 4.7-50V	A.....
C	23	87-010-404-080	CAP, ELECT 4.7-50V	A.....
C	30	87-018-134-080	CAPACITOR,TC-U 0.01-16	A.....
C	40	87-018-131-080	CAP, CER 1000P-50V	A.....
D	5	87-070-110-010	LED,SLP-181B-51	A.....
D	7	87-070-345-080	DIODE,IN4148	A.....
D	8	87-070-345-080	DIODE,IN4148	A.....
D	9	87-070-345-080	DIODE,IN4148	A.....
D	14	87-070-345-080	DIODE,IN4148	A.....
D	11	87-070-345-080	DIODE,IN4148	A.....
D	12	87-070-345-080	DIODE,IN4148	A.....
D	18	87-070-345-080	DIODE,IN4148	A.....
FB	1	87-003-320-080	F-BEAD,FBR07HA121NB	A.....
IC	2	87-A20-611-080	IC,M51943BSL-700A	A.....
IC	3	87-A21-106-010	IC,SLA24C04-D	A.....
IC	4	87-A90-864-010	RCR UNIT,SBX1981-72MESH	A.....
IC	1	88-JBJ-621-010	IC,M37221M6-***SP	A.....
L	1	87-003-226-080	MICRO INDUCTOR 100UJ	A.....
Q	1	87-A30-066-080	TR,2SA1175FE	A.....
Q	3	87-A30-090-080	FET,2SK2541	A.....
Q	11	87-A30-065-080	TR,2SC2785FE	A.....
Q	16	87-A30-066-080	TR,2SA1175FE	A.....
Q	15	87-A30-066-080	TR,2SA1175FE	A.....
Q	13	87-A30-090-080	FET,2SK2541	A.....
Q	12	87-A30-090-080	FET,2SK2541	A.....
Q	14	87-A30-090-080	FET,2SK2541	A.....
Q	10	87-A30-090-080	FET,2SK2541	A.....
SFR	2	87-024-437-080	SFR100K,RH063EC	A.....
SFR	1	87-024-438-080	SFR220K,RH063EC	A.....

SW	6	87-A90-712-080	SW,TACT EVQ11L07K	A.....
SW	5	87-A90-712-080	SW,TACT EVQ11L07K	A.....
SW	7	87-A90-712-080	SW,TACT EVQ11L07K	A.....
SW	2	87-A90-712-080	SW,TACT EVQ11L07K	A.....
SW	3	87-A90-712-080	SW,TACT EVQ11L07K	A.....
SW	4	87-A90-712-080	SW,TACT EVQ11L07K	A.....
X	1	87-030-212-080	CERA LOCK CST8.0M	A.....
C	109	87-010-400-080	CAP, ELECT 0.47-50V	A.....
C	101	87-010-401-080	CAP, ELECT 1-50V	A.....
C	102	87-A10-112-080	CAP,E 100-10 SSL	A.....
C	103	87-A10-207-080	CAP,TCS 0.01-50KBUP050	A.....
C	110	87-010-400-080	CAP, ELECT 0.47-50V	A.....
C	111	87-010-401-080	CAP, ELECT 1-50V	A.....
CN	101	87-A60-498-010	CONN,9P V BLK TAC-L09X	A.....
CN	102	87-A60-498-010	CONN,9P V BLK TAC-L09X	A.....
D	102	87-070-345-080	DIODE,IN4148	A.....
D	101	87-070-345-080	DIODE,IN4148	A.....
IC	101	87-A20-371-080	IC,KA33V	A.....
L	101	87-005-481-080	COIL,47UH J FLR50	A.....
Q	102	87-A30-065-080	TR,2SC2785FE	A.....
Q	101	87-A30-090-080	FET,2SK2541	A.....
Q	104	87-A30-090-080	FET,2SK2541	A.....
Q	103	87-A30-090-080	FET,2SK2541	A.....
Q	105	87-A30-091-080	FET,2SJ460	A.....
Q	106	87-A30-091-080	FET,2SJ460	A.....
Q	107	87-A30-091-080	FET,2SJ460	A.....
Q	108	87-A30-091-080	FET,2SJ460	A.....
R	102	87-A00-164-090	RES,M/F 12K-2W J RSF(S)	A.....
TU	101	86-LBB-603-010	TU UNIT, ENV59D17F1	A.....
C	302	87-018-122-080	CAP 180P-50 B	A.....
C	309	87-018-134-080	CAPACITOR,TC-U 0.01-16	A.....
C	307	87-018-209-080	CAP, CER 0.1-50V	A.....
C	312	87-010-400-080	CAP, ELECT 0.47-50V	A.....
C	315	87-018-107-080	CAP,TC-U 18P-50 SL	A.....
C	316	87-018-131-080	CAP, CER 1000P-50V	A.....
C	313	87-018-134-080	CAPACITOR,TC-U 0.01-16	A.....
C	311	87-018-134-080	CAPACITOR,TC-U 0.01-16	A.....
C	310	87-018-134-080	CAPACITOR,TC-U 0.01-16	A.....
C	327	87-010-260-080	CAP, ELECT 47-25V	A.....
C	329	87-010-401-080	CAP, ELECT 1-50V	A.....
C	320	87-010-529-080	CAP,E 1-50 BP	A.....
C	328	87-018-130-080	CAP,TC-U 820P-50 B	A.....
C	335	87-010-374-080	CAP, ELECT 47-10V	A.....
C	332	87-010-403-080	CAP, ELECT 3.3-50V	A.....
C	338	87-018-117-080	CAP,TC-U 68P-50 SL	A.....
C	330	87-018-124-080	CAP, CER 270P-50V	A.....
C	336	87-018-134-080	CAPACITOR,TC-U 0.01-16	A.....
C	344	87-010-400-080	CAP, ELECT 0.47-50V	A.....
C	349	87-018-134-080	CAPACITOR,TC-U 0.01-16	A.....
C	348	87-018-134-080	CAPACITOR,TC-U 0.01-16	A.....
C	352	87-010-401-080	CAP, ELECT 1-50V	A.....
C	351	87-010-401-080	CAP, ELECT 1-50V	A.....
C	350	87-018-120-080	CAP, CERA-SOL SS 120P	A.....
C	356	87-018-122-080	CAP 180P-50 B	A.....
C	354	87-018-134-080	CAPACITOR,TC-U 0.01-16	A.....
C	378	87-010-401-080	CAP, ELECT 1-50V	A.....
C	372	87-010-405-080	CAP, ELECT 10-50V	A.....
C	377	87-015-997-010	CAP, ELECT 2200UF-16V	A.....
C	373	87-018-115-080	CAP, CER 47P-50V	A.....
C	376	87-018-134-080	CAPACITOR,TC-U 0.01-16	A.....
C	375	87-018-134-080	CAPACITOR,TC-U 0.01-16	A.....
C	374	87-018-134-080	CAPACITOR,TC-U 0.01-16	A.....
C	399	87-018-209-080	CAP, CER 0.1-50V	A.....
CN	301	84-LB2-631-010	CONN ASSY,5P TN-4	A.....

D	302	87-A40-001-080	ZENER,MTZJ12C	A.....
D	303	87-A40-235-080	ZENER,MTZJ9.1C	A.....
D	301	87-A40-349-080	ZENER,MTZJ7.5C	A.....
DL	301	84-LB3-638-010	DL,ADL-CP144E	A.....
DL	302	87-A90-370-010	DELAY LINE,ELB10Z334	A.....
IC	301	87-070-080-010	IC,TA8759BN	A.....
L	303	82-JT2-608-010	FLTR,DL PHASE	A.....
L	304	87-003-145-080	COIL,8.2UH LAL02	A.....
L	308	87-003-147-080	COIL, 22UH	A.....
L	307	87-003-154-080	COIL,220UH	A.....
L	306	87-003-286-080	COIL,56UH LAL02	A.....
L	309	87-003-286-080	COIL,56UH LAL02	A.....
L	310	87-005-473-080	COIL,10UH J FLR50	A.....
Q	307	87-A30-065-080	TR,2SC2785FE	A.....
Q	305	87-A30-065-080	TR,2SC2785FE	A.....
Q	301	87-A30-065-080	TR,2SC2785FE	A.....
Q	306	87-A30-066-080	TR,2SA1175FE	A.....
Q	304	87-A30-066-080	TR,2SA1175FE	A.....
Q	302	87-A30-066-080	TR,2SA1175FE	A.....
Q	309	87-A30-090-080	FET,2SK2541	A.....
Q	303	87-A30-121-080	TR,DTC 323 TS	A.....
Q	310	87-A30-065-080	TR,2SC2785FE	A.....
Q	311	87-A30-065-080	TR,2SC2785FE	A.....
Q	312	87-A30-065-080	TR,2SC2785FE	A.....
Q	319	87-A30-090-080	FET,2SK2541	A.....
Q	314	87-A30-090-080	FET,2SK2541	A.....
R	326	87-A00-317-080	RES,M/F 82-1/4W F SN2E	A.....
SFR	301	87-024-429-080	SFR,1K RH063EC	A.....
SFR	302	87-024-429-080	SFR,1K RH063EC	A.....
X	302	87-030-327-010	VIB,CER CSB503F30	A.....
X	303	87-A70-007-080	VIB,XTAL 3.58MHZ AQC-1001	A.....
X	301	87-A70-054-080	VIB,XTAL 4.43MHZ AQC-1018	A.....
		87-067-579-010	TAPPING SCREW, BVT2+3-8	A.....
C	509	87-010-247-080	CAP, ELECT 100-50V	A.....
C	503	87-010-405-080	CAP, ELECT 10-50V	A.....
C	507	87-018-115-080	CAP, CER 47P-50V	A.....
C	501	87-018-127-080	CAP, CER 470P-50V	A.....
C	508	87-018-131-080	CAP, CER 1000P-50V	A.....
C	502	87-018-134-080	CAPACITOR,TC-U 0.01-16	A.....
C	510	87-010-394-080	CAP ELECT220-35V	A.....
C	514	87-010-401-080	CAP, ELECT 1-50V	A.....
C	513	87-A10-011-090	CAP,E 2200-25 SMG	A.....
C	511	88-708-980-810	CAP,M 0.056-100 J AMZV	A.....
C	609	87-010-386-080	CAP,E330-25 SME	A.....
C	605	87-012-407-010	CAP,CER 2700P-2K K BN DE	A.....
C	603	87-016-217-080	CAP,E 4.7-160	A.....
C	601	87-016-299-080	CAP,E 10-100 SME	A.....
C	606	87-016-357-010	CAP,PP 0.01-1250	A.....
C	610	87-010-397-090	CAP,E 1000-35 SME	A.....
C	612	87-010-974-080	CAP,CER 220P-500 B	A.....
C	611	87-010-976-080	CAP,CER 1000P-500 B	A.....
C	615	87-012-386-090	CAP,CER 470P-2K K BN DE	A.....
C	614	87-016-515-080	CAP,CER 1000P-1K B	A.....
C	616	87-A10-043-010	CAP,PP 0.56-200 PH	A.....
C	617	88-238-450-810	CERAMIC CAPACITOR,150P/500V	A.....
D	501	87-070-092-080	DIODE,S5566B	A.....
D	605	87-070-345-080	DIODE,IN4148	A.....
D	604	87-A40-286-080	DIODE, RGP10JE-5025	A.....
D	602	87-A40-286-080	DIODE, RGP10JE-5025	A.....
D	601	87-A40-286-080	DIODE, RGP10JE-5025	A.....
D	603	87-A40-286-080	DIODE, RGP10JE-5025	A.....
FB	601	87-003-320-080	F-BEAD, FBR07HA121NB	A.....
FR	605	87-A00-049-060	RES,FUSE 2.2K-1/2WJ R-TYPE	A.....
FR	603	87-A00-050-060	RES,FUSE 2.2-1W J R-TYPE	A.....

FR	604	87-A00-052-060	RES,FUSE 3.9-1W J R-TYPE	A.....
FR	601	87-A00-063-060	RES,FUSE 2.2-1/2W J R-TYPE	A.....
FR	602	87-A00-263-060	RES,FUSE 2.7-2W J R-TYPE	A.....
IC	501	87-070-237-010	IC,LA7832	A.....
L	601	84-LB2-621-010	COIL,WLH-605 LIN	A.....
L	603	87-A50-040-010	COIL,2.2MH	A.....
PN	601	87-099-675-010	CONN,5P V V	A.....
Q	501	87-A30-065-080	TR,2SC2785FE	A.....
Q	502	87-A30-090-080	FET,2SK2541	A.....
Q	603	87-A30-065-080	TR,2SC2785FE	A.....
Q	601	87-A30-095-010	TR,2SD2333LS/C202	A.....
Q	602	89-334-674-580	TR,2SC3467 D/E	A.....
R	603	87-A00-200-090	RES,M/F 100-2W J RSF(S)	A.....
R	610	87-A00-225-090	RES,M/F 2.2K-5W J RSV5	A.....
SFR	501	87-024-436-080	SFR,47K RH063EC	A.....
SW	501	87-A90-567-010	SW,LVR 4-1-3 EVQRAAL10	A.....
T	602	84-LB3-651-010	TRANS,HD MS-101N	A.....
T	601	87-JBC-610-010	FBT, HFT3601 (HOT)	A.....

NOTE: The characters in the suffix column indicate the part usage.

YKNKXX.....A.....

REF.NO	PARTS NO.	DESCRIPTION	SUFFIX	
C	557	87-010-378-080	CAP, ELECT 10-16V	A.....
C	556	87-010-378-080	CAP, ELECT 10-16V	A.....
C	551	87-010-976-080	CAP,CER 1000P-500 B	A.....
C	552	87-012-397-010	CAP,CER 1000P-2K BN	A.....
C	553	87-018-124-080	CAP, CER 270P-50V	A.....
C	554	87-018-124-080	CAP, CER 270P-50V	A.....
C	555	87-018-126-080	CAP,TC-U 390P-50 B	A.....
D	556	87-070-345-080	DIODE,IN4148	A.....
D	553	87-070-345-080	DIODE,IN4148	A.....
D	551	87-070-345-080	DIODE,IN4148	A.....
D	552	87-070-345-080	DIODE,IN4148	A.....
D	557	87-070-345-080	DIODE,IN4148	A.....
D	555	87-070-345-080	DIODE,IN4148	A.....
L	551	87-005-444-080	COIL 100UH,K	A.....
PN	551	87-009-195-010	CONN,5P B5BEH	A.....
PN	552	87-049-590-010	CONN,5P 8283 V WHT	A.....
Q	551	87-A30-005-010	TR,2SC2688M/L	A.....
Q	552	87-A30-005-010	TR,2SC2688M/L	A.....
Q	553	87-A30-005-010	TR,2SC2688M/L	A.....
Q	554	87-A30-066-080	TR,2SA1175FE	A.....
R	552	87-A00-165-090	RES,M/F 15K-2W J RSF(S)	A.....
R	553	87-A00-165-090	RES,M/F 15K-2W J RSF(S)	A.....
R	551	87-A00-165-090	RES,M/F 15K-2W J RSF(S)	A.....
SFR	554	87-024-520-080	SFR,1K DIA6 V NTP	A.....
SFR	555	87-024-520-080	SFR,1K DIA6 V NTP	A.....
SFR	552	87-024-522-080	SFR 4.7K DIA6V NTP	A.....
SFR	553	87-024-522-080	SFR 4.7K DIA6V NTP	A.....
SFR	551	87-024-522-080	SFR 4.7K DIA6V NTP	A.....
SO	552	86-LBR-670-010	SOCKET,CRT 9P HPS1521	A.....

ELECTRICAL MAIN PARTS LIST - 3 (TV-A149)

NOTE: The characters in the suffix column indicate the part usage.

YLTVXX.....A.....

REF.NO	PARTS NO.	DESCRIPTION	SUFFIX
	87-067-584-010	TAPPING SCREW, BVT2+3-6	A.....
	87-067-680-010	BVI T3+3-10	A.....
C 809	87-010-385-080	CAP, ELECT 220-25V	A.....
C 803	87-012-370-010	CAP,CER 3300P-250NS	A.....
C 804	87-012-370-010	CAP,CER 3300P-250NS	A.....
C 808	87-A10-646-090	CAP,E 220-400 SMH (25.4*40)	A.....
C 802	87-A10-688-090	CAP,M/P 0.22-275 K (B81133)	A.....
C 801	87-A10-688-090	CAP,M/P 0.22-275 K (B81133)	A.....
C 819	87-010-381-080	CAP, ELECT 330-16V	A.....
C 813	87-012-372-010	CAP,CER 1000P-2K	A.....
C 817	87-016-648-090	CAP,E 100-160 M SSL	A.....
C 811	87-018-131-080	CAP, CER 1000P-50V	A.....
C 812	87-A10-645-090	CAP,M/P 0.01-1K J MMH	A.....
C 810	87-A10-728-080	CAP,E 680-10 M LXV	A.....
C 816	87-A10-731-090	CAP,E 220-160 M KMF	A.....
C 814	87-A10-832-080	CAP,CER 1000P-1K K R	A.....
C 822	87-010-397-090	CAP,E 1000-35 SME	A.....
C 821	87-010-398-090	CAP,E 2200-35V	A.....
C 827	87-018-131-080	CAP, CER 1000P-50V	A.....
C 825	87-A10-469-080	CAP,CER 2200P-500 K B DD10	A.....
C 838	87-010-235-080	CAP,E 470-16 SME	A.....
C 837	87-010-378-080	CAP, ELECT 10-16V	A.....
C 839	87-010-378-080	CAP, ELECT 10-16V	A.....
CN 803	87-JB2-690-010	CONN ASSY,5P V WHITE-RED TV-NK	A.....
D 803	87-A40-286-080	DIODE, RGP10JE-5025	A.....
D 808	87-A40-286-080	DIODE, RGP10JE-5025	A.....
D 805	87-A40-286-080	DIODE, RGP10JE-5025	A.....
D 804	87-A40-286-080	DIODE, RGP10JE-5025	A.....
D 801	87-A40-328-010	DIODE, GBU4JL	A.....
D 807	87-A40-354-090	DIODE, UF3GL-6251	A.....
D 809	87-A40-354-090	DIODE, UF3GL-6251	A.....
D 806	87-A40-450-090	DIODE, RU 1P	A.....
D 813	87-A40-440-080	ZENER, MTZJ7.5A	A.....
FB 805	87-003-320-080	F-BEAD, FBR07HA121NB	A.....
FB 801	87-003-320-080	F-BEAD, FBR07HA121NB	A.....
FB 804	87-003-320-080	F-BEAD, FBR07HA121NB	A.....
FB 802	87-003-320-080	F-BEAD, FBR07HA121NB	A.....
FB 803	87-003-320-080	F-BEAD, FBR07HA121NB	A.....
FC 802	87-A90-160-080	FUSE CLAMP, FC 51F	A.....
FC 801	87-A90-160-080	FUSE CLAMP, FC 51F	A.....
FR 801	87-A00-081-090	RES, FUSE 1-1/2W	A.....
IC 806	87-001-536-010	IC, NJM78M05FA	A.....
IC 804	87-001-576-010	IC, MJM7812FA	A.....
IC 805	87-A20-389-010	IC, NJM7809FA	A.....
IC 801	87-A20-980-010	IC, STR-S6707N	A.....
L 802	87-A50-170-010	COIL, 390UH RCH106	A.....
L 801	87-A50-176-080	COIL, 33UH-PJ87	A.....
LF 801	87-JB8-650-010	FLTR, LINE SS24H-K18055	A.....
PN 801	82-481-649-010	PLUG, 2P MINI (*)	A.....
PN 802	87-099-674-010	CONN, 2P VA V	A.....
PR 804	87-026-689-080	PROTECTOR, 1A 60V 491	A.....
PR 801	87-A90-090-080	PROTECTOR, 1.5A 491SERIES 60V	A.....
PR 802	87-A90-094-080	PROTECTOR, 4A 491SERIES 60V	A.....
PS 801	87-A30-096-010	P-TR, TLP721F	A.....
PS 802	87-A30-096-010	P-TR, TLP721F	A.....
PT 801	87-JBC-627-010	PT, SWT 7JB	A.....
Q 803	87-A30-041-010	TR, SE115N	A.....

Q	801	87-A30-090-080	FET,2SK2541	A.....
Q	802	87-A30-090-080	FET,2SK2541	A.....
R	804	87-A00-224-090	RES,SD 8.2M-1W J CE	A.....
R	808	87-A00-243-090	RES,M/F 22-1W J RSF(S)	A.....
R	806	87-A00-287-090	RES,CEM 0.33-5W K RGC5	A.....
R	809	87-A00-332-090	RES,CEM 1-10W J RGC	A.....
R	805	87-A00-333-090	RES,M/F 100K-3W J RSS	A.....
R	807	87-A00-333-090	RES,M/F 100K-3W J RSS	A.....
R	812	87-A00-170-090	RES,M/F 82K-3W J RSF(S)	A.....
R	816	87-A00-223-090	RES,M/F 47K-2W J RSF(S)	A.....
R	810	87-A00-332-090	RES,CEM 1-10W J RGC	A.....
SW	801	87-A90-364-010	SW,PUSH SDDL1-C-D-2	A.....
THP	801	87-A90-759-010	POS-THMS,PTH451C272BF300N270	A.....
		87-067-584-010	TAPPING SCREW, BVT2+3-6	A.....
C	409	87-010-260-080	CAP, ELECT 47-25V	A.....
C	407	87-010-405-080	CAP, ELECT 10-50V	A.....
C	406	87-010-405-080	CAP, ELECT 10-50V	A.....
C	401	87-018-134-080	CAPACITOR,TC-U 0.01-16	A.....
C	417	87-010-237-090	CAP ELEC 1000UF 16V SME	A.....
C	411	87-010-248-080	CAP, ELECT 220-10V	A.....
C	410	87-010-248-080	CAP, ELECT 220-10V	A.....
C	415	87-010-387-080	CAP,E 470-25 SME	A.....
C	416	87-010-387-080	CAP,E 470-25 SME	A.....
C	412	87-010-396-080	CAP,E 470-35 SME	A.....
C	419	87-010-401-080	CAP, ELECT 1-50V	A.....
C	418	87-010-402-080	CAP, ELECT 2.2-50V	A.....
C	421	87-010-112-080	CAP, ELECT 100-16V	A.....
C	426	87-010-378-080	CAP, ELECT 10-16V	A.....
C	425	87-010-378-080	CAP, ELECT 10-16V	A.....
C	420	87-010-401-080	CAP, ELECT 1-50V	A.....
C	428	87-015-695-080	CAP,E 1-50 7L	A.....
C	439	87-010-112-080	CAP, ELECT 100-16V	A.....
C	452	87-010-384-080	CAP, ELECT 100-25V	A.....
C	456	87-010-401-080	CAP, ELECT 1-50V	A.....
C	459	87-010-401-080	CAP, ELECT 1-50V	A.....
C	458	87-010-401-080	CAP, ELECT 1-50V	A.....
C	454	87-010-401-080	CAP, ELECT 1-50V	A.....
C	457	87-010-401-080	CAP, ELECT 1-50V	A.....
C	453	87-010-401-080	CAP, ELECT 1-50V	A.....
C	451	87-010-402-080	CAP, ELECT 2.2-50V	A.....
C	460	87-010-221-080	CAP, ELECT 470-10V	A.....
C	462	87-010-405-080	CAP, ELECT 10-50V	A.....
C	461	87-010-405-080	CAP, ELECT 10-50V	A.....
C	466	87-018-131-080	CAP, CER 1000P-50V	A.....
C	473	87-018-134-080	CAPACITOR,TC-U 0.01-16	A.....
C	474	87-018-134-080	CAPACITOR,TC-U 0.01-16	A.....
D	402	87-070-345-080	DIODE,IN4148	A.....
D	404	87-070-345-080	DIODE,IN4148	A.....
D	403	87-070-345-080	DIODE,IN4148	A.....
D	405	87-070-345-080	DIODE,IN4148	A.....
D	406	87-A40-347-080	ZENER,MTZJ2.2B	A.....
D	451	87-A40-004-080	ZENER,MTZJ16A	A.....
D	452	87-A40-004-080	ZENER,MTZJ16A	A.....
FB	401	87-003-320-080	F-BEAD,FBR07HA121NB	A.....
IC	403	87-001-647-080	IC,NJM78L 12A	A.....
IC	402	87-002-577-010	IC,LA7953N	A.....
IC	401	87-A20-734-010	IC,TDA2007A	A.....
IC	451	87-002-779-010	IC,LA7956	A.....
J	403	87-009-216-010	JACK, DIA 3.5	A.....
J	401	87-A60-322-110	JACK,PIN 3P Y-W-R W/SW	A.....
J	402	87-A60-324-110	JACK,PIN 6P Y-W-R W/SW	A.....
L	401	87-005-444-080	COIL 100UH,K	A.....
PN	401	87-049-469-010	CONN,4P V	A.....
Q	405	87-A30-090-080	FET,2SK2541	A.....

Q	401	87-A30-090-080	FET,2SK2541	A.....
Q	402	87-A30-090-080	FET,2SK2541	A.....
Q	417	87-A30-066-080	TR,2SA1175FE	A.....
Q	415	87-A30-121-080	TR,DTC 323 TS	A.....
Q	416	87-A30-121-080	TR,DTC 323 TS	A.....
Q	421	87-A30-121-080	TR,DTC 323 TS	A.....
Q	422	87-A30-121-080	TR,DTC 323 TS	A.....
Q	455	87-A30-065-080	TR,2SC2785FE	A.....
Q	454	87-A30-065-080	TR,2SC2785FE	A.....
Q	453	87-A30-066-080	TR,2SA1175FE	A.....
Q	451	87-A30-066-080	TR,2SA1175FE	A.....
R	412	87-A00-150-090	RES,M/F 220-1W J RSF(S)	A.....
R	413	87-A00-150-090	RES,M/F 220-1W J RSF(S)	A.....
R	436	87-A00-369-090	RES,FUSE 3.3-1/2W J L-FORMING	A.....
R	437	87-A00-369-090	RES,FUSE 3.3-1/2W J L-FORMING	A.....
C	5	87-018-109-080	CAP, CER 22P-50V	A.....
C	3	87-018-109-080	CAP, CER 22P-50V	A.....
C	2	87-018-109-080	CAP, CER 22P-50V	A.....
C	4	87-018-109-080	CAP, CER 22P-50V	A.....
C	6	87-018-109-080	CAP, CER 22P-50V	A.....
C	1	87-018-109-080	CAP, CER 22P-50V	A.....
C	8	87-018-115-080	CAP, CER 47P-50V	A.....
C	7	87-018-123-080	CAP, CER 220P-50V	A.....
C	9	87-018-134-080	CAPACITOR,TC-U 0.01-16	A.....
C	10	87-010-101-080	CAP, ELECT 220-16	A.....
C	11	87-010-378-080	CAP, ELECT 10-16V	A.....
C	14	87-010-378-080	CAP, ELECT 10-16V	A.....
C	13	87-010-401-080	CAP, ELECT 1-50V	A.....
C	18	87-018-119-080	CAP, CER 100P-50V	A.....
C	19	87-018-119-080	CAP, CER 100P-50V	A.....
C	17	87-018-119-080	CAP, CER 100P-50V	A.....
C	12	87-018-119-080	CAP, CER 100P-50V	A.....
C	16	87-018-125-080	CAP, CER 330P-50V	A.....
C	27	87-010-401-080	CAP, ELECT 1-50V	A.....
C	26	87-010-404-080	CAP, ELECT 4.7-50V	A.....
C	29	87-010-404-080	CAP, ELECT 4.7-50V	A.....
C	28	87-010-404-080	CAP, ELECT 4.7-50V	A.....
C	25	87-010-404-080	CAP, ELECT 4.7-50V	A.....
C	23	87-010-404-080	CAP, ELECT 4.7-50V	A.....
C	30	87-018-134-080	CAPACITOR,TC-U 0.01-16	A.....
C	40	87-018-131-080	CAP, CER 1000P-50V	A.....
D	5	87-070-110-010	LED,SLP-181B-51	A.....
D	8	87-070-345-080	DIODE,IN4148	A.....
D	9	87-070-345-080	DIODE,IN4148	A.....
D	7	87-070-345-080	DIODE,IN4148	A.....
D	14	87-070-345-080	DIODE,IN4148	A.....
D	11	87-070-345-080	DIODE,IN4148	A.....
D	18	87-070-345-080	DIODE,IN4148	A.....
D	12	87-070-345-080	DIODE,IN4148	A.....
HL	5	84-LB3-216-010	HLDR,LED	A.....
IC	2	87-A20-611-080	IC,M51943BSL-700A	A.....
IC	3	87-A21-106-010	IC,SLA24C04-D	A.....
IC	4	87-A90-864-010	RCR UNIT,SBX1981-72MESH	A.....
IC	1	88-JBJ-621-010	IC,M37221M6-***SP	A.....
L	1	87-003-226-080	MICRO INDUCTOR 100UJ	A.....
Q	1	87-A30-066-080	TR,2SA1175FE	A.....
Q	3	87-A30-090-080	FET,2SK2541	A.....
Q	11	87-A30-065-080	TR,2SC2785FE	A.....
Q	15	87-A30-066-080	TR,2SA1175FE	A.....
Q	16	87-A30-066-080	TR,2SA1175FE	A.....
Q	13	87-A30-090-080	FET,2SK2541	A.....
Q	14	87-A30-090-080	FET,2SK2541	A.....
Q	12	87-A30-090-080	FET,2SK2541	A.....
Q	10	87-A30-090-080	FET,2SK2541	A.....

SFR	2	87-024-437-080	SFR100K,RH063EC	A.....
SFR	1	87-024-438-080	SFR220K,RH063EC	A.....
SW	3	87-A90-712-080	SW,TACT EVQ11L07K	A.....
SW	2	87-A90-712-080	SW,TACT EVQ11L07K	A.....
SW	5	87-A90-712-080	SW,TACT EVQ11L07K	A.....
SW	4	87-A90-712-080	SW,TACT EVQ11L07K	A.....
SW	7	87-A90-712-080	SW,TACT EVQ11L07K	A.....
SW	6	87-A90-712-080	SW,TACT EVQ11L07K	A.....
X	1	87-030-212-080	CERA LOCK CST8.0M	A.....
C	102	87-010-263-080	CAP, ELECT 100-10V	A.....
C	109	87-010-400-080	CAP, ELECT 0.47-50V	A.....
C	101	87-010-401-080	CAP, ELECT 1-50V	A.....
C	103	87-A10-207-080	CAP,TCS 0.01-50KBUP050	A.....
C	110	87-010-400-080	CAP, ELECT 0.47-50V	A.....
C	111	87-010-401-080	CAP, ELECT 1-50V	A.....
CN	101	87-A60-498-010	CONN,9P V BLK TAC-L09X	A.....
CN	102	87-A60-498-010	CONN,9P V BLK TAC-L09X	A.....
D	101	87-070-345-080	DIODE,IN4148	A.....
D	102	87-070-345-080	DIODE,IN4148	A.....
IC	101	87-A20-371-080	IC,KA33V	A.....
L	101	87-005-481-080	COIL,47UH J FLR50	A.....
Q	102	87-A30-065-080	TR,2SC2785FE	A.....
Q	103	87-A30-090-080	FET,2SK2541	A.....
Q	104	87-A30-090-080	FET,2SK2541	A.....
Q	101	87-A30-090-080	FET,2SK2541	A.....
Q	106	87-A30-091-080	FET,2SJ460	A.....
Q	107	87-A30-091-080	FET,2SJ460	A.....
Q	108	87-A30-091-080	FET,2SJ460	A.....
Q	105	87-A30-091-080	FET,2SJ460	A.....
R	102	87-A00-164-090	RES,M/F 12K-2W J RSF(S)	A.....
TU	101	86-LBB-603-010	TU UNIT, ENV59D17F1	A.....
C	302	87-018-122-080	CAP 180P-50 B	A.....
C	309	87-018-134-080	CAPACITOR,TC-U 0.01-16	A.....
C	307	87-018-209-080	CAP, CER 0.1-50V	A.....
C	312	87-010-400-080	CAP, ELECT 0.47-50V	A.....
C	315	87-018-107-080	CAP,TC-U 18P-50 SL	A.....
C	316	87-018-131-080	CAP, CER 1000P-50V	A.....
C	310	87-018-134-080	CAPACITOR,TC-U 0.01-16	A.....
C	311	87-018-134-080	CAPACITOR,TC-U 0.01-16	A.....
C	313	87-018-134-080	CAPACITOR,TC-U 0.01-16	A.....
C	327	87-010-260-080	CAP, ELECT 47-25V	A.....
C	329	87-010-401-080	CAP, ELECT 1-50V	A.....
C	320	87-010-529-080	CAP,E 1-50 BP	A.....
C	328	87-018-130-080	CAP,TC-U 820P-50 B	A.....
C	335	87-010-374-080	CAP, ELECT 47-10V	A.....
C	332	87-010-403-080	CAP, ELECT 3.3-50V	A.....
C	338	87-018-117-080	CAP,TC-U 68P-50 SL	A.....
C	330	87-018-124-080	CAP, CER 270P-50V	A.....
C	336	87-018-134-080	CAPACITOR,TC-U 0.01-16	A.....
C	344	87-010-400-080	CAP, ELECT 0.47-50V	A.....
C	349	87-018-134-080	CAPACITOR,TC-U 0.01-16	A.....
C	348	87-018-134-080	CAPACITOR,TC-U 0.01-16	A.....
C	351	87-010-401-080	CAP, ELECT 1-50V	A.....
C	352	87-010-401-080	CAP, ELECT 1-50V	A.....
C	350	87-018-120-080	CAP, CERA-SOL SS 120P	A.....
C	356	87-018-122-080	CAP 180P-50 B	A.....
C	354	87-018-134-080	CAPACITOR,TC-U 0.01-16	A.....
C	372	87-010-378-080	CAP, ELECT 10-16V	A.....
C	378	87-010-401-080	CAP, ELECT 1-50V	A.....
C	377	87-015-997-010	CAP, ELECT 220UF-16V	A.....
C	373	87-018-115-080	CAP, CER 47P-50V	A.....
C	376	87-018-134-080	CAPACITOR,TC-U 0.01-16	A.....
C	374	87-018-134-080	CAPACITOR,TC-U 0.01-16	A.....
C	375	87-018-134-080	CAPACITOR,TC-U 0.01-16	A.....

C	399	87-018-209-080	CAP, CER 0.1-50V	A.....
CN	301	84-LB2-631-010	CONN ASSY,5P TN-4	A.....
D	302	87-A40-001-080	ZENER,MTZJ12C	A.....
D	303	87-A40-235-080	ZENER,MTZJ9.1C	A.....
D	301	87-A40-349-080	ZENER,MTZJ7.5C	A.....
DL	301	84-LB3-638-010	DL,ADL-CP144E	A.....
DL	302	87-A90-370-010	DELAY LINE,ELB10Z334	A.....
IC	301	87-070-080-010	IC,TA8759BN	A.....
L	303	82-JT2-608-010	FLTR,DL PHASE	A.....
L	304	87-003-145-080	COIL,8.2UH LAL02	A.....
L	308	87-003-147-080	COIL, 22UH	A.....
L	307	87-003-154-080	COIL,220UH	A.....
L	306	87-003-286-080	COIL,56UH LAL02	A.....
L	309	87-003-286-080	COIL,56UH LAL02	A.....
L	310	87-005-473-080	COIL,10UH J FLR50	A.....
Q	305	87-A30-065-080	TR,2SC2785FE	A.....
Q	301	87-A30-065-080	TR,2SC2785FE	A.....
Q	307	87-A30-065-080	TR,2SC2785FE	A.....
Q	304	87-A30-066-080	TR,2SA1175FE	A.....
Q	306	87-A30-066-080	TR,2SA1175FE	A.....
Q	302	87-A30-066-080	TR,2SA1175FE	A.....
Q	309	87-A30-090-080	FET,2SK2541	A.....
Q	303	87-A30-121-080	TR,DTC 323 TS	A.....
Q	311	87-A30-065-080	TR,2SC2785FE	A.....
Q	312	87-A30-065-080	TR,2SC2785FE	A.....
Q	310	87-A30-065-080	TR,2SC2785FE	A.....
Q	314	87-A30-090-080	FET,2SK2541	A.....
Q	319	87-A30-090-080	FET,2SK2541	A.....
R	326	87-A00-317-080	RES,M/F 82-1/4W F SN2E	A.....
SFR	301	87-024-429-080	SFR,1K RH063EC	A.....
SFR	302	87-024-429-080	SFR,1K RH063EC	A.....
X	302	87-030-327-010	VIB,CER CSB503F30	A.....
X	303	87-A70-007-080	VIB,XTAL 3.58MHZ AQC-1001	A.....
X	301	87-A70-054-080	VIB,XTAL 4.43MHZ AQC-1018	A.....
		87-067-579-010	TAPPING SCREW, BVT2+3-8	A.....
C	509	87-010-247-080	CAP, ELECT 100-50V	A.....
C	503	87-010-405-080	CAP, ELECT 10-50V	A.....
C	507	87-018-115-080	CAP, CER 47P-50V	A.....
C	501	87-018-127-080	CAP, CER 470P-50V	A.....
C	508	87-018-131-080	CAP, CER 1000P-50V	A.....
C	502	87-018-134-080	CAPACITOR,TC-U 0.01-16	A.....
C	510	87-010-394-080	CAP ELECT220-35V	A.....
C	514	87-010-401-080	CAP, ELECT 1-50V	A.....
C	513	87-A10-011-090	CAP,E 2200-25 SMG	A.....
C	511	88-708-980-810	CAP,M 0.056-100 J AMZV	A.....
C	609	87-010-386-080	CAP,E330-25 SME	A.....
C	605	87-012-385-010	CAP,CER 330P-2K K BN DE	A.....
C	603	87-016-217-080	CAP,E 4.7-160	A.....
C	601	87-016-299-080	CAP,E 10-100 SME	A.....
C	606	87-016-490-010	CAP,M/PP8200P-1.6KJ	A.....
C	610	87-010-397-090	CAP,E 1000-35 SME	A.....
C	612	87-010-974-080	CAP,CER 220P-500 B	A.....
C	611	87-010-976-080	CAP,CER 1000P-500 B	A.....
C	615	87-012-386-090	CAP,CER 470P-2K K BN DE	A.....
C	616	87-016-481-010	CAP,PP 0.47-200 J	A.....
C	614	87-016-515-080	CAP,CER 1000P-1K B	A.....
C	617	88-238-450-810	CERAMIC CAPACITOR,150P/500V	A.....
D	501	87-070-092-080	DIODE,S5566B	A.....
D	605	87-070-345-080	DIODE,IN4148	A.....
D	604	87-A40-286-080	DIODE,RGP10JE-5025	A.....
D	603	87-A40-286-080	DIODE,RGP10JE-5025	A.....
D	602	87-A40-286-080	DIODE,RGP10JE-5025	A.....
D	601	87-A40-286-080	DIODE,RGP10JE-5025	A.....
FB	601	87-003-320-080	F-BEAD,FBR07HA121NB	A.....

FR	603	87-A00-050-060	RES,FUSE 2.2-1W J R-TYPE	A.....
FR	604	87-A00-052-060	RES,FUSE 3.9-1W J R-TYPE	A.....
FR	602	87-A00-052-060	RES,FUSE 3.9-1W J R-TYPE	A.....
FR	601	87-A00-063-060	RES,FUSE 2.2-1/2W J R-TYPE	A.....
IC	501	87-070-237-010	IC,LA7832	A.....
L	603	87-A50-040-010	COIL,2.2MH	A.....
PN	601	87-099-675-010	CONN,5P V V	A.....
Q	501	87-A30-065-080	TR,2SC2785FE	A.....
Q	502	87-A30-090-080	FET,2SK2541	A.....
Q	601	87-A30-051-010	TR,2SD2331	A.....
Q	603	87-A30-065-080	TR,2SC2785FE	A.....
Q	602	89-334-674-580	TR,2SC3467 D/E	A.....
R	603	87-A00-200-090	RES,M/F 100-2W J RSF(S)	A.....
R	610	87-A00-225-090	RES,M/F 2.2K-5W J RSV5	A.....
SFR	501	87-024-436-080	SFR,47K RH063EC	A.....
SW	501	87-A90-567-010	SW,LVR 4-1-3 EVQRAAL10	A.....
T	601	84-LB3-607-010	FBT,FTK-14B011	A.....
T	602	84-LB3-651-010	TRANS,HD MS-101N	A.....

NOTE: The characters in the suffix column indicate the part usage.

YLNKXX.....A.....

REF.NO	PARTS NO.	DESCRIPTION	SUFFIX	
C	557	87-010-378-080	CAP, ELECT 10-16V	A.....
C	556	87-010-378-080	CAP, ELECT 10-16V	A.....
C	551	87-010-976-080	CAP,CER 1000P-500 B	A.....
C	552	87-012-397-010	CAP,CER 1000P-2K BN	A.....
C	553	87-018-124-080	CAP, CER 270P-50V	A.....
C	554	87-018-124-080	CAP, CER 270P-50V	A.....
C	555	87-018-126-080	CAP,TC-U 390P-50 B	A.....
D	556	87-070-345-080	DIODE,IN4148	A.....
D	555	87-070-345-080	DIODE,IN4148	A.....
D	551	87-070-345-080	DIODE,IN4148	A.....
D	553	87-070-345-080	DIODE,IN4148	A.....
D	552	87-070-345-080	DIODE,IN4148	A.....
D	557	87-070-345-080	DIODE,IN4148	A.....
L	551	87-005-444-080	COIL 100UH,K	A.....
PN	551	87-009-195-010	CONN,5P B5BEH	A.....
PN	552	87-049-590-010	CONN,5P 8283 V WHT	A.....
Q	554	87-A30-066-080	TR,2SA1175FE	A.....
Q	552	89-334-674-580	TR,2SC3467 D/E	A.....
Q	551	89-334-674-580	TR,2SC3467 D/E	A.....
Q	553	89-334-674-580	TR,2SC3467 D/E	A.....
R	551	87-A00-165-090	RES,M/F 15K-2W J RSF(S)	A.....
R	552	87-A00-165-090	RES,M/F 15K-2W J RSF(S)	A.....
R	553	87-A00-165-090	RES,M/F 15K-2W J RSF(S)	A.....
SFR	554	87-024-520-080	SFR,1K DIA6 V NTP	A.....
SFR	555	87-024-520-080	SFR,1K DIA6 V NTP	A.....
SFR	552	87-024-522-080	SFR 4.7K DIA6V NTP	A.....
SFR	553	87-024-522-080	SFR 4.7K DIA6V NTP	A.....
SFR	551	87-024-522-080	SFR 4.7K DIA6V NTP	A.....
SO	551	86-LBU-670-010	SOCKET,CRT 9P CVT3326 1603	A.....

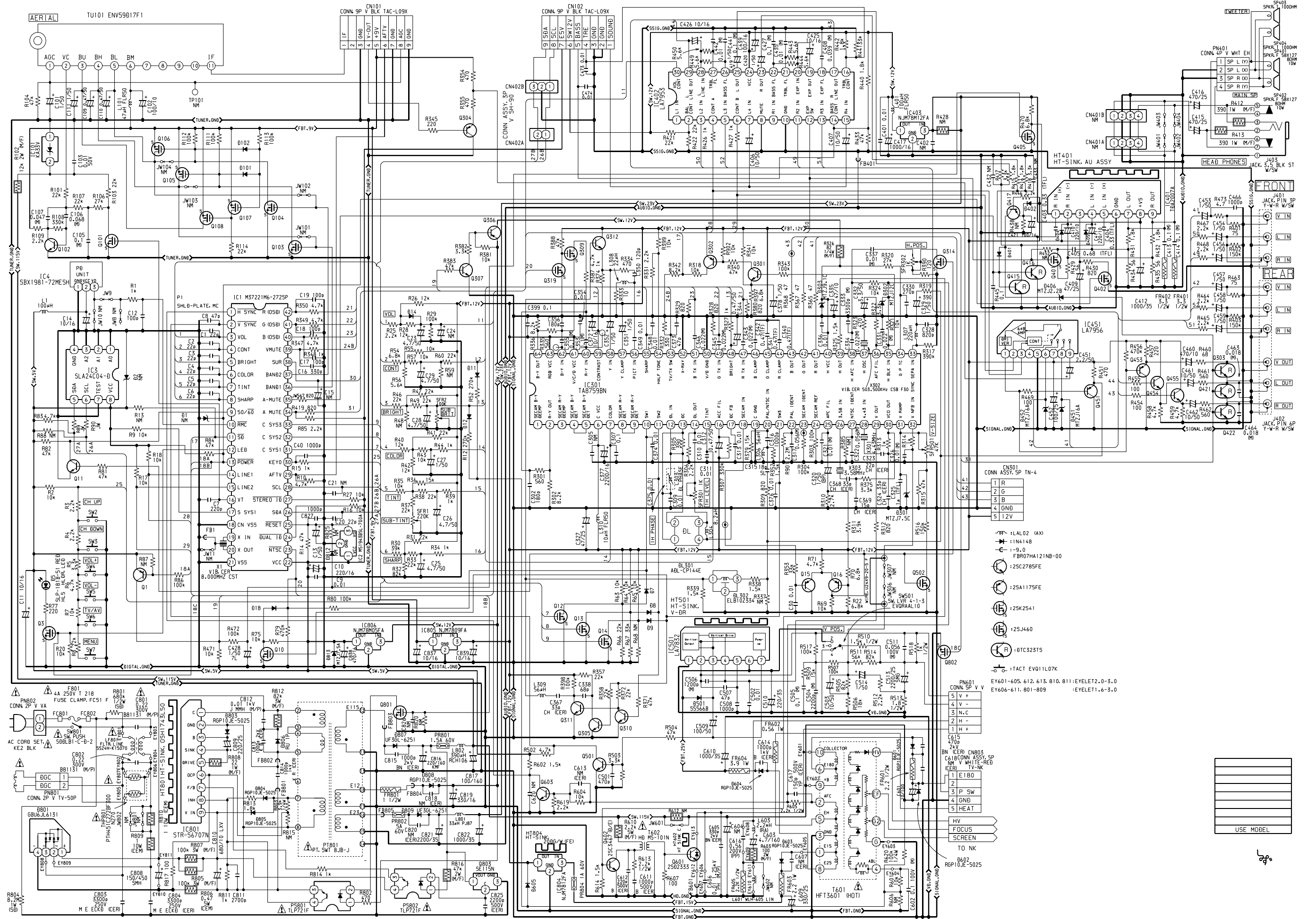
ELECTRICAL MAIN PARTS LIST - 4 (TV-A219/A209/A149)

NOTE: The characters in the suffix column indicate the part usage.

YJISXX.....A.....

REF.NO	PARTS NO.	DESCRIPTION	SUFFIX
BPF 201	87-A90-670-010	FLTR,SAW OFW-K6265K	A.....
C 51	87-010-378-080	CAP, ELECT 10-16V	A.....
C 53	87-010-378-080	CAP, ELECT 10-16V	A.....
C 54	87-018-134-080	CAPACITOR,TC-U 0.01-16	A.....
C 52	87-018-134-080	CAPACITOR,TC-U 0.01-16	A.....
C 201	87-018-119-080	CAP, CER 100P-50V	A.....
C 213	87-010-263-010	CAP, ELECT 100-10V	A.....
C 212	87-010-401-080	CAP, ELECT 1-50V	A.....
C 211	87-018-109-080	CAP, CER 22P-50V	A.....
C 218	87-018-133-080	CAPACITOR,CER 4700P-16V	A.....
C 219	87-018-134-080	CAPACITOR,TC-U 0.01-16	A.....
C 214	87-018-134-080	CAPACITOR,TC-U 0.01-16	A.....
C 217	87-018-134-080	CAPACITOR,TC-U 0.01-16	A.....
C 228	87-010-263-010	CAP, ELECT 100-10V	A.....
C 223	87-010-401-080	CAP, ELECT 1-50V	A.....
C 227	87-018-118-080	CAP,TC-U 82P-50 B	A.....
C 225	87-018-119-080	CAP, CER 100P-50V	A.....
C 222	87-018-120-080	CAP, CERA-SOL SS 120P	A.....
C 221	87-018-134-080	CAPACITOR,TC-U 0.01-16	A.....
CF 208	84-LB3-626-080	FLTR,TPS4.5MB2	A.....
CF 203	87-008-574-080	FLTR,SFSH4.5MCB	A.....
CF 207	87-008-577-080	FLTR,TPS5.5MB2	A.....
CF 205	87-008-578-080	FLTR,TPS6.5MB2	A.....
CF 204	87-A90-223-080	FLTR, SFSH6.0MCB	A.....
CF 206	87-A90-224-080	FLTR, TPS6.0MB	A.....
D 201	87-070-345-080	DIODE,IN4148	A.....
D 202	87-070-345-080	DIODE,IN4148	A.....
D 203	87-070-345-080	DIODE,IN4148	A.....
IC 202	87-027-656-010	IC,TC4066	A.....
IC 201	87-A20-436-010	IC,LA7565N	A.....
L 208	87-003-102-080	COIL, 10UH	A.....
L 202	87-003-108-080	COIL,0.68UH	A.....
L 206	87-003-145-080	COIL,8.2UH LAL02	A.....
L 207	87-003-145-080	COIL,8.2UH LAL02	A.....
L 209	87-003-146-080	COIL	A.....
L 210	86-LB7-656-010	COIL,VCO2 38.0MHZ LA7565N	A.....
L 221	87-003-102-080	COIL, 10UH	A.....
PN 201	87-A60-499-010	CONN,9P H BLK TAC-L09P	A.....
PN 701	87-A60-499-010	CONN,9P H BLK TAC-L09P	A.....
Q 207	87-A30-065-080	TR,2SC2785FE	A.....
Q 208	87-A30-066-080	TR,2SA1175FE	A.....
Q 202	87-A30-090-080	FET,2SK2541	A.....
Q 203	87-A30-090-080	FET,2SK2541	A.....
Q 204	87-A30-090-080	FET,2SK2541	A.....
Q 212	87-A30-065-080	TR,2SC2785FE	A.....
Q 211	87-A30-066-080	TR,2SA1175FE	A.....
Q 210	87-A30-090-080	FET,2SK2541	A.....
SFR 201	87-024-434-080	SFR,22K RH063EC	A.....
X 201	87-A70-043-010	VIB,CER 503KHZ CSBE5	A.....

SCHEMATIC DIAGRAM - 1 (TTV-A219 TV C.B)



- ⊗ : LAL02 (AXI)
- ⊗ : 1N4148
- ⊗ : 9.0 FBR07HA121NB-00
- ⊗ : 2SC2785FE
- ⊗ : 2SA1175FE
- ⊗ : 2SK2541
- ⊗ : 2SJ460
- ⊗ : 9TC323TS
- ⊗ : TACT EV01L07X
- ⊗ : EY601-605, 612, 613, 810, 811 : EYELET2.0-3.0
- ⊗ : EY606-611, 801-809 : EYELET1.6-3.0

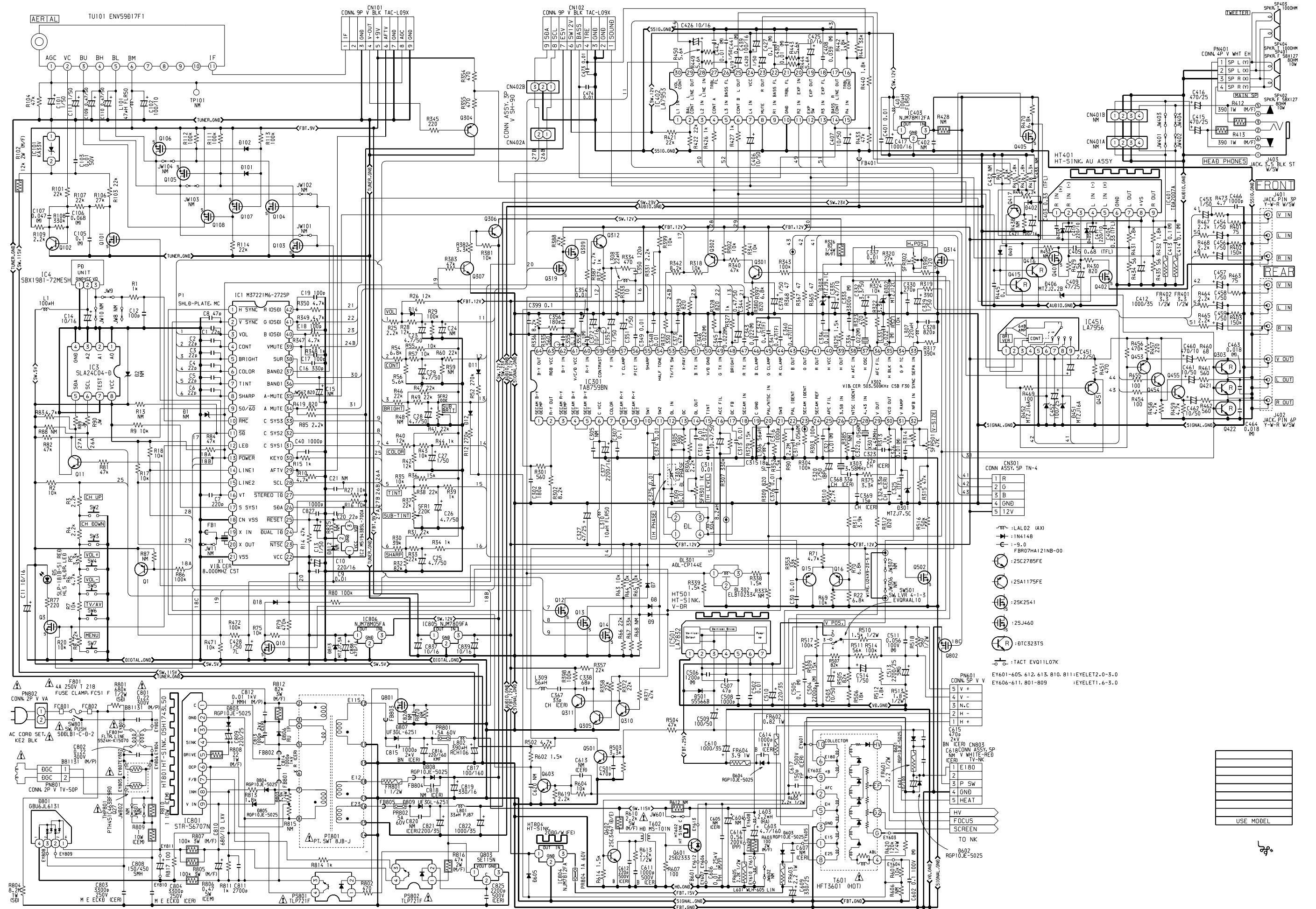
1	IF
2	GND
3	C-OUT
4	L-OUT
5	LEFT V
6	RIGHT V
7	RF
8	RF
9	GND
10	GND

1	R
2	G
3	B
4	GND
5	12V

1	HT-SINK, AU ASSY
2	HT-SINK, AU ASSY
3	HT-SINK, AU ASSY
4	HT-SINK, AU ASSY
5	HT-SINK, AU ASSY
6	HT-SINK, AU ASSY
7	HT-SINK, AU ASSY
8	HT-SINK, AU ASSY
9	HT-SINK, AU ASSY
10	HT-SINK, AU ASSY

USE MODEL

SCHEMATIC DIAGRAM - 2 (TV-A209 TV C.R)



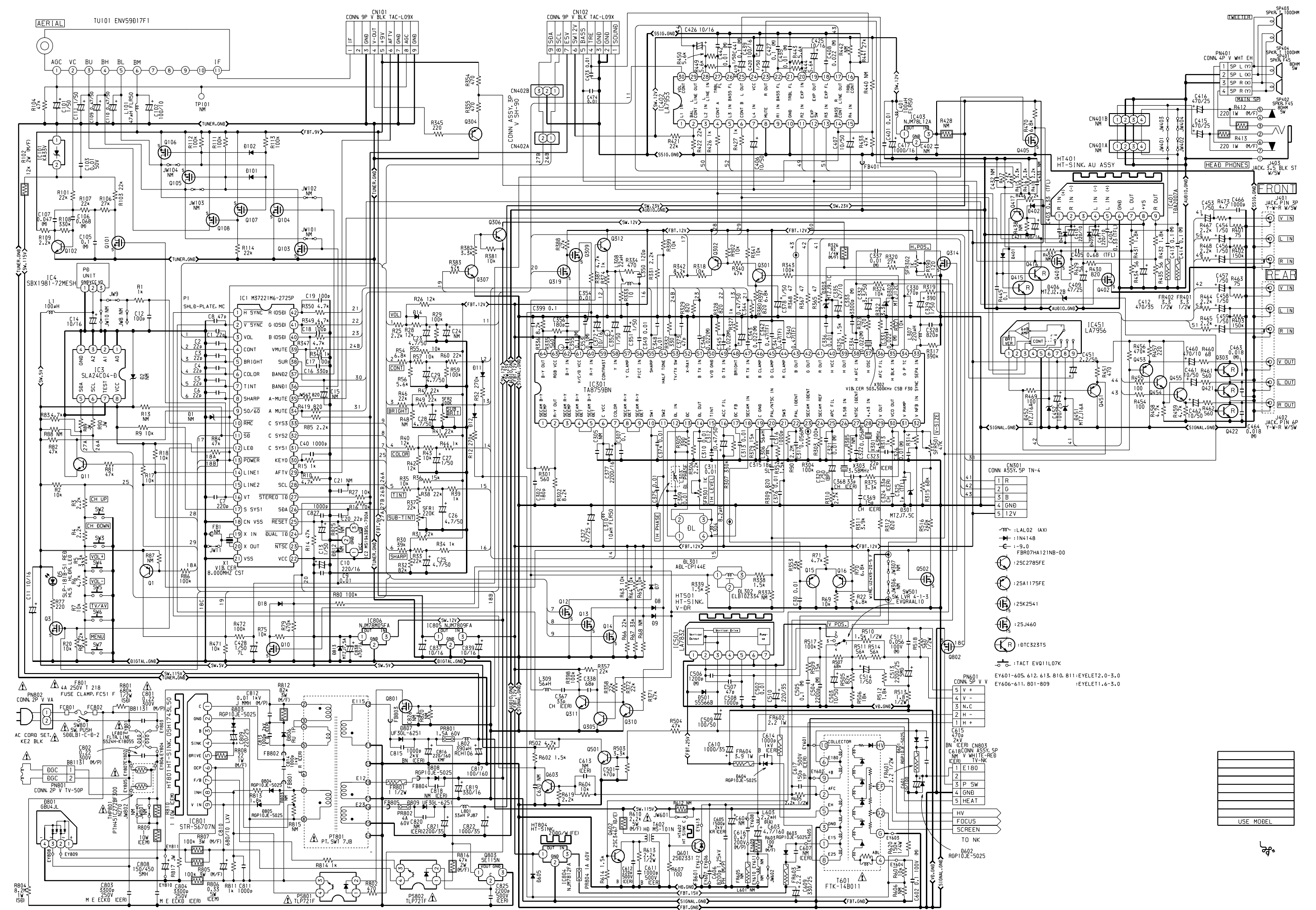
- ⊖ : LAL02 (AX)
- ⊖ : 1N4148
- ⊖ : 9.0
- ⊖ : FB707HA121NB-00
- ⊖ : 25C2785FE
- ⊖ : 25A175FE
- ⊖ : 25K2541
- ⊖ : 25J460
- ⊖ : 0TC323TS
- ⊖ : TACT EV011L07K
- ⊖ : EY601-605, 612, 613, 610, 611: EYELET2.0-3.0
- ⊖ : EY606-611, 601-809 : EYELET1.6-3.0

CONN 5P V V	1	V +
	2	V -
	3	N-C
	4	H +
	5	H -

CONN 5P V V	1	V +
	2	V -
	3	N-C
	4	H +
	5	H -

USE MODEL

SCHEMATIC DIAGRAM - 3 (TV-A149 TV C.B)

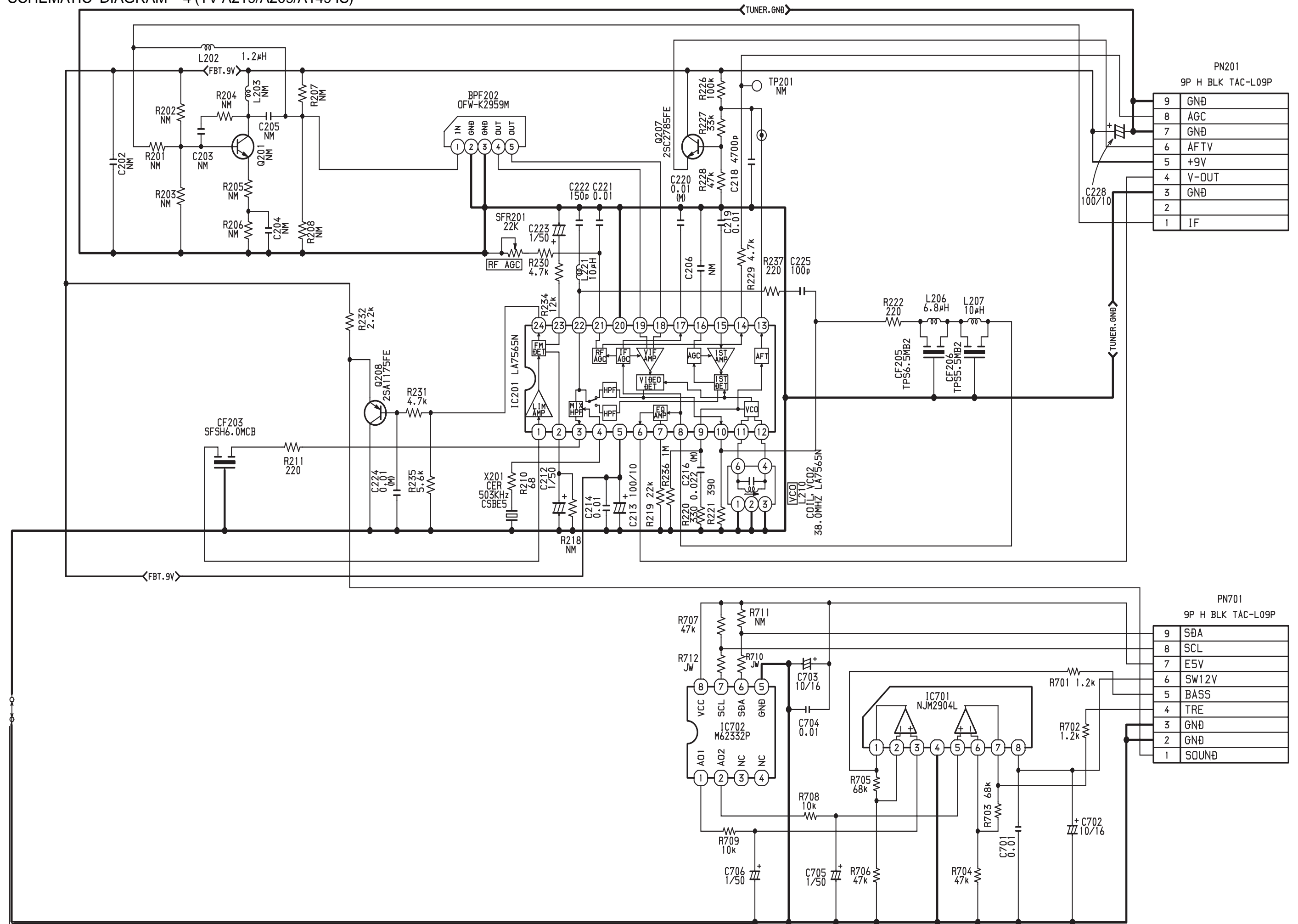


- ⊗ : LAL02 (AX)
- ⊕ : 1N4148
- ⊖ : 9.0
- ⊙ : FBR07HA121NB-00
- ⊙ : 25C2785FE
- ⊙ : 25A1175FE
- ⊙ : 25K2541
- ⊙ : 25J460
- ⊙ : 0TC323TS
- ⊙ : TACT EV01107K
- ⊙ : EY601-605, 612, 618, 810, 811: EYELET2.0-3.0
- ⊙ : EY606-611, 801-809 : EYELET1.6-3.0

CONN 5P V V	5 V +
CONN 5P V V	4 V -
CONN 5P V V	3 N.C.
CONN 5P V V	2 H +
CONN 5P V V	1 H +
CONN 5P V V	C615
CONN 5P V V	C616
CONN 5P V V	C617
CONN 5P V V	C618
CONN 5P V V	C619
CONN 5P V V	C620
CONN 5P V V	C621
CONN 5P V V	C622
CONN 5P V V	C623
CONN 5P V V	C624
CONN 5P V V	C625
CONN 5P V V	C626
CONN 5P V V	C627
CONN 5P V V	C628
CONN 5P V V	C629
CONN 5P V V	C630
CONN 5P V V	C631
CONN 5P V V	C632
CONN 5P V V	C633
CONN 5P V V	C634
CONN 5P V V	C635
CONN 5P V V	C636
CONN 5P V V	C637
CONN 5P V V	C638
CONN 5P V V	C639
CONN 5P V V	C640
CONN 5P V V	C641
CONN 5P V V	C642
CONN 5P V V	C643
CONN 5P V V	C644
CONN 5P V V	C645
CONN 5P V V	C646
CONN 5P V V	C647
CONN 5P V V	C648
CONN 5P V V	C649
CONN 5P V V	C650
CONN 5P V V	C651
CONN 5P V V	C652
CONN 5P V V	C653
CONN 5P V V	C654
CONN 5P V V	C655
CONN 5P V V	C656
CONN 5P V V	C657
CONN 5P V V	C658
CONN 5P V V	C659
CONN 5P V V	C660
CONN 5P V V	C661
CONN 5P V V	C662
CONN 5P V V	C663
CONN 5P V V	C664
CONN 5P V V	C665
CONN 5P V V	C666
CONN 5P V V	C667
CONN 5P V V	C668
CONN 5P V V	C669
CONN 5P V V	C670
CONN 5P V V	C671
CONN 5P V V	C672
CONN 5P V V	C673
CONN 5P V V	C674
CONN 5P V V	C675
CONN 5P V V	C676
CONN 5P V V	C677
CONN 5P V V	C678
CONN 5P V V	C679
CONN 5P V V	C680
CONN 5P V V	C681
CONN 5P V V	C682
CONN 5P V V	C683
CONN 5P V V	C684
CONN 5P V V	C685
CONN 5P V V	C686
CONN 5P V V	C687
CONN 5P V V	C688
CONN 5P V V	C689
CONN 5P V V	C690
CONN 5P V V	C691
CONN 5P V V	C692
CONN 5P V V	C693
CONN 5P V V	C694
CONN 5P V V	C695
CONN 5P V V	C696
CONN 5P V V	C697
CONN 5P V V	C698
CONN 5P V V	C699
CONN 5P V V	C700

USE MODEL

SCHEMATIC DIAGRAM - 4 (TV-A219/A209/A149 IS)



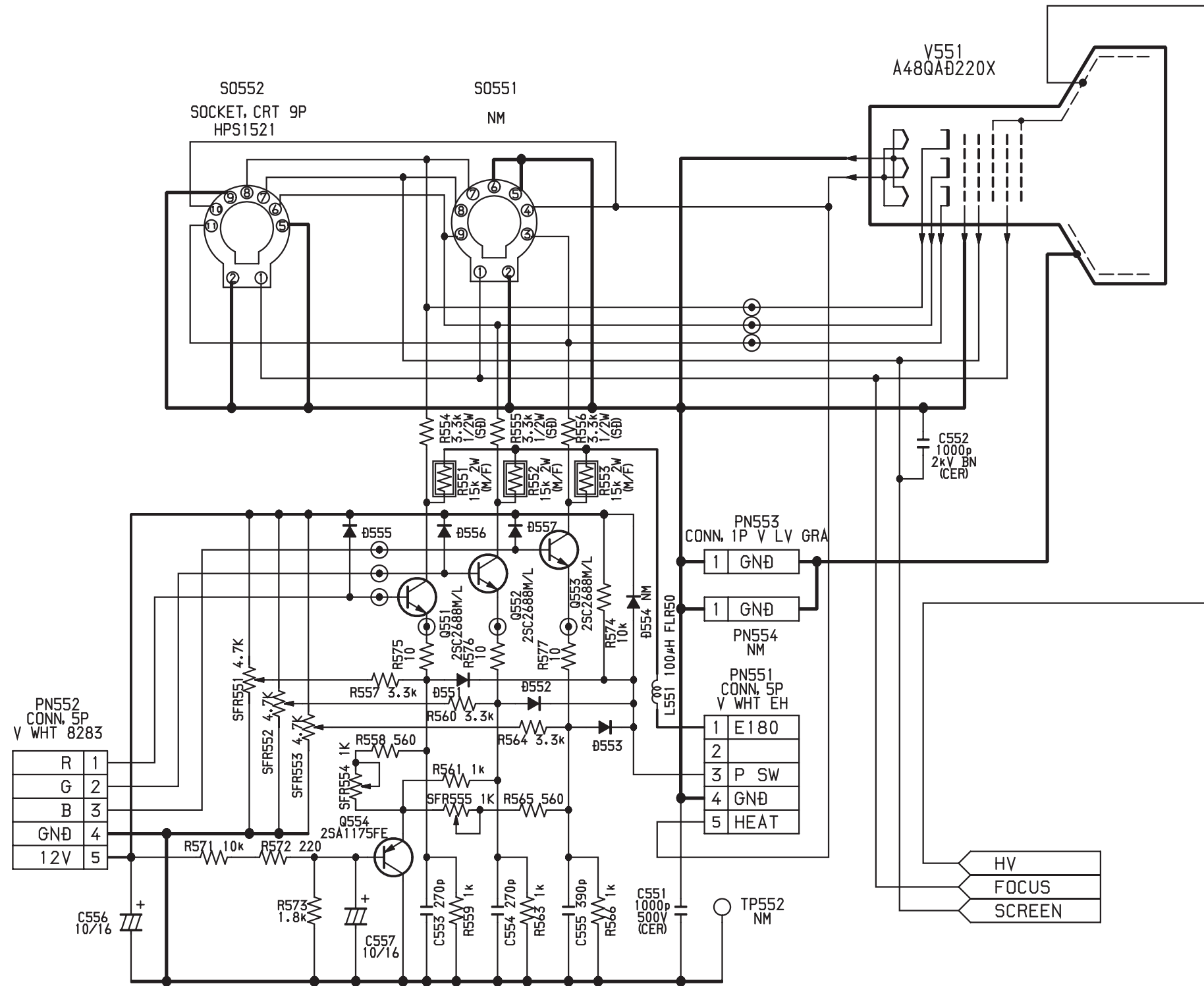
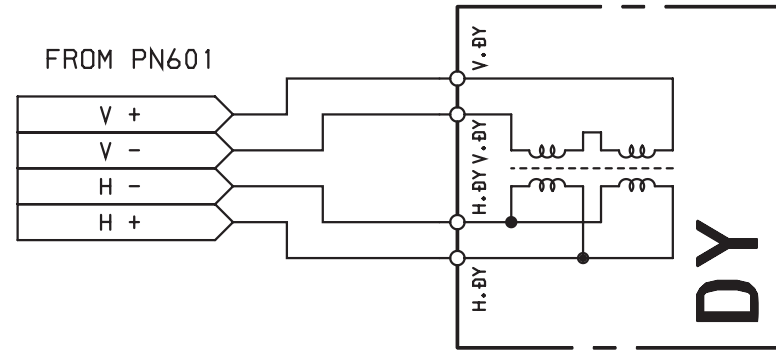
PN201
9P H BLK TAC-L09P

9	GND
8	AGC
7	GND
6	AFTV
5	+9V
4	V-OUT
3	GND
2	
1	IF

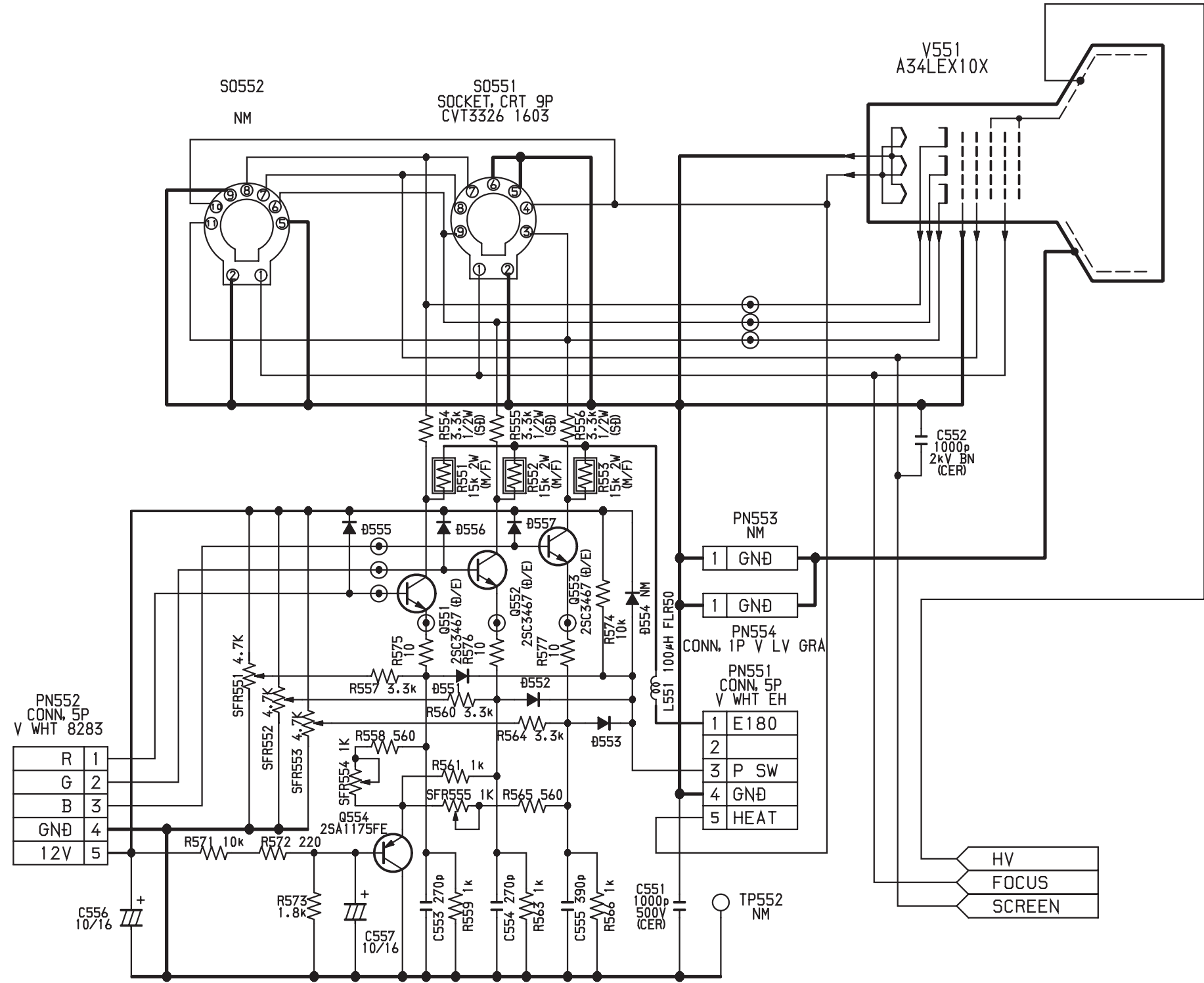
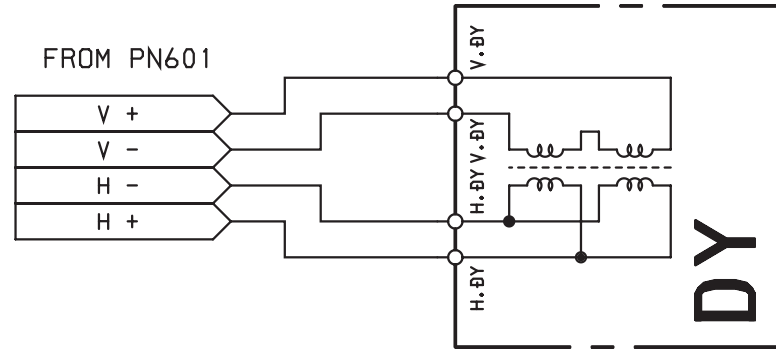
PN701
9P H BLK TAC-L09P

9	SDA
8	SCL
7	E5V
6	SW12V
5	BASS
4	TRE
3	GND
2	GND
1	SOUND

SCHEMATIC DIAGRAM - 6 (TV-A209 NK C.B)



SCHEMATIC DIAGRAM - 7 (TV-A149 NK C.B)



サービス技術ニュース	
番号	連絡内容
G- -	
G- -	
G- -	

アイワ株式会社
AIWA CO.,LTD.

727205

Tokyo Japan